



2
YEAR
GUARANTEE

201
LINE

ACCESS CONTROL SYSTEMS

CATALOGUE

A U D I O A N D V I D E O



201

L I N E

D O O R E N T R Y S Y S T E M S

CONTENTS

Preparing a quotation	
KITS	6
• Door entry kits	8
• Video door entry kits	10
• Internal communication kits	14
• Kits: Section tables	15
• Kits: Dimensions and accessories	16
AUDIO DOOR ENTRY SYSTEMS	18
• Conventional electronic door entry systems (4+N)	20
• Electronic call system	20
• Buzzer call system	21
• System with concierge unit for multiple points of entry	22
• System with privacy of conversation, single and multiple access points	23
• Internal communication system	24
• Digital electronic door entry systems	26
• System with privacy of conversation and concierge unit, single and multiple access points	26
• Universal electronic products	29
VIDEO DOOR ENTRY SYSTEMS	30
• Conventional video door entry system (6+N)	32
• Coaxial system with privacy of conversation, single and multiple access points	32
• Twisted pair system with privacy of conversation, single and multiple access points	34
• Digital video door entry systems	36
• Coaxial system with privacy of conversation and concierge unit, single or multiple access points	36
• Twisted pair system with privacy of conversation and concierge unit, single or multiple access points	40
COMPLEMENTARY SYSTEMS AND ACCESSORIES	44
• TV door entry system	46
• PC door entry system	47
• Control of access points	47
• Entrance panel modules with pushbuttons	48
• Entrance panel accessories	50
• Accessories	54
ENTRANCE PANELS: dimensions and accessories	56
Summary of codes	72
Terms and conditions	74

P R E P A R I N G

It is important to bear in mind that usually our entrance panels are made up of two modules: one module with the audio unit, camera, card holder or blank; and the other module with pushbuttons. If a numeric keypad is used, there will be a single module.

- The catalogue/pricelist is divided into sections, as follows:

- Kits



- Audio door entry systems



- Video door entry systems

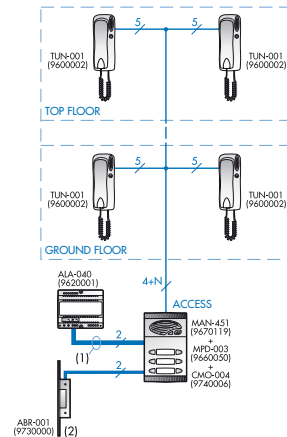


- Complementary systems and accessories



- In the sections on audio door entry systems and video door entry systems, you will find details of everything you need for different types of installation as well as sample quotations and wiring diagrams.

N° OF DWELLINGS	1x3	2x3	2x4	2x5	2x6	3x4	3x5	3x6	4x4	4x5	4x6
MODEL											
TEL-001	3	6	8	10	12	12	15	18	16	20	24
MAN-410	1	1	1	1	1	1	1	1	1	1	1
MIN-000						1	1	1	1	1	1
MPS-003	1										
MPS-004						1					
MPS-005							1				
MPS-006								1			
MPD-003		1									
MPD-004			1			1			2		
MPD-005				1		1				2	
MPD-006					1	1	1	1	1	1	2
ALA-040	1	1	1	1	1	1	1	1	1	1	1
CEM-001						1	1	1	1	1	1
CMQ-004	1	1	1			2			2		
CMQ-006				1	1		2	2	2	2	2
ABR-001	1	1	1	1	1	1	1	1	1	1	1



A Q U O T A T I O N

- In the section on complementary systems and accessories, you will find details on items which are common to the different types of installation.



- For audio door entry systems in buildings of 12 or fewer points, as well as for digital audio systems of 1 or 2 points and video door entry systems of 1 or 2 points, you can easily prepare your quotation using our kits, which include all the material necessary to perform these installations (see page 6).
- To see the sizes of all products, go to the section entitled ENTRANCE PANELS: DIMENSIONS AND ACCESSORIES on page 56.
- All our systems allow the number of monitors or telephones per dwelling to be increased. The limits on each type of installation are shown in the following tables:

ELECTRONIC DOOR ENTRY SYSTEM: DEVICES PER DWELLING	
TELEPHONE	CALL REPEATER ^①
4	–
3	–
2	1
1	2

ELECTRONIC VIDEO DOOR ENTRY SYSTEM DEVICES PER DWELLING		
MONITOR	TELEPHONE ^③	CALL REPEATER ^{AAL-200}
4 ^②	–	–
3 ^②	1	–
2	2	–
1	3	–
–	4	–
2	–	1
1	–	2
1	1	1
–	2	1
–	1	2

- 1 - For door entry system installations with electronic call, the model to choose is the AAL-200.
For door entry system installations with buzzer call, the model to choose is the AAL-210.
- 2 - The power supply unit included in the video door entry system kits, the one which is shown in the sample diagrams, can feed up to 2 monitors per dwelling. If you wish to install 3 or 4 monitors per dwelling, you will need to install an additional power supply unit with DC output.
- 3 - For 6+N video door entry system installations, whether coaxial or twisted pair, the model of telephone to choose is the TES-001 for one pushbutton and TES-002 for two pushbuttons.
For digital video door entry system installations, whether coaxial or twisted pair, the model of telephone to choose is TED-001 for one pushbutton and TED-002 for two pushbuttons.

K I T S



DOOR ENTRY SYSTEM KITS

- Kits contain all the products necessary (except cable) to carry out the installation.
- High quality audio processing.
- Compact entrance panel with audio unit and pushbuttons.
- Confirmation of call on entrance panel.
- All products in kits are fully compatible with other products in our catalogue.

AUDIO DOOR ENTRY KITS, 4+N SYSTEM, WITH ELECTRONIC CALL

KITS WITH SINGLE PUSHBUTTONS

TYPE	CODE	DESCRIPTION	PACK
KAS-41021	9700046	Kit for 1 single push-button, with 4+N call system without electronic lock	12

TYPE	CODE	DESCRIPTION	PACK
KAS-41001	9700037	Kit for single push-button, with 4+N call system	12

TYPE	CODE	DESCRIPTION	PACK
KAS-41003	9700038	Kit for 3 single push-buttons, with 4+N call system	6

TYPE	CODE	DESCRIPTION	PACK
KAS-41005	9700039	Kit for 5 single push-buttons, with 4+N call system	4

KITS WITH DOUBLE PUSHBUTTONS

TYPE	CODE	DESCRIPTION	PACK
KAD-41021	9700047	Kit for 1 double push-button, with 4+N call system without electronic lock	6

TYPE	CODE	DESCRIPTION	PACK
KAD-41001	9700040	Kit for 1 double push-button, with 4+N call system	6

AUDIO DOOR ENTRY KITS, 4+N SYSTEM, WITH ELECTRONIC CALL

KITS WITH DOUBLE PUSHBUTTONS

TYPE	CODE	DESCRIPTION
KAD-41002 PACK	9700041	Kit for 2 double push-buttons, with 4+N call system
6		

TYPE	CODE	DESCRIPTION
KAD-41003 PACK	9700042	Kit for 3 double push-buttons, with 4+N call system
4		

TYPE	CODE	DESCRIPTION
KAD-41004 PACK	9700043	Kit for 4 double push-buttons, with 4+N call system
2		

TYPE	CODE	DESCRIPTION	PACK
KAD-41005	9700044	Kit for 5 double push-buttons, with 4+N call system	2

TYPE	CODE	DESCRIPTION	PACK
KAD-41006	9700045	Kit for 6 double push-buttons, with 4+N call system	2

AUDIO DOOR ENTRY KITS, DIGITAL SYSTEM

TYPE	CODE	DESCRIPTION
KAS-47001 PACK	9700106	Digital door entry kit with 1 single push-button, 2 wires BUS.
12		

NEW

TYPE	CODE	DESCRIPTION
KBS-47221 PACK	9700120	Digital door entry kit with 1 single push-button, 2 wires BUS. Without electronic lock. It includes a 2 push-buttons telephone and a surface box.
12		

TYPE	CODE	DESCRIPTION
KAD-47001 PACK	9700107	Digital door entry kit with 1 double push-button, 2 wires BUS
6		

V I D E O D O O R E N T R Y K I T S

- Kits contain all the products necessary (except cable) to carry out the installation.
- High quality audio and video processing (through coaxial cable).
- Compact entrance panel with camera, audio unit and pushbuttons.
- Confirmation of call on entrance panel.
- All products in kits are fully compatible with other products in our catalogue.

VIDEO DOOR ENTRY KITS, 6+N SYSTEM, COAXIAL, MICROPROCESSED, WITH ELECTRONIC CALL AND PRIVACY OF CONVERSATION, B/W

TYPE	CODE	DESCRIPTION	PACK
KVS-44101	9720042	Kit with 1 single push-button, with 6+N and coaxial system, generic video unit and B/W monitor	6

TYPE	CODE	DESCRIPTION	PACK
KVD-44101	9720043	Kit with 1 double push-button, with 6+N call and coax system. Generic video unit and B/W monitor	4

VIDEO DOOR ENTRY KITS, 6+N SYSTEM, COAXIAL, MICROPROCESSED, WITH ELECTRONIC CALL AND PRIVACY OF CONVERSATION, COLOUR

TYPE	CODE	DESCRIPTION	PACK
KVS-44201	9720110	Kit with 1 single push-button, with 6+N and coaxial system, generic video unit and colour monitor	6

TYPE	CODE	DESCRIPTION	PACK
KVD-44201	9720111	Kit with 1 double push-button, with 6+N call and coax system. Generic video unit and colour monitor	4

V I D E O D O O R E N T R Y K I T S

VIDEO DOOR ENTRY KITS, 6+N SYSTEM, TWISTED PAIR, MICROPROCESSED, WITH ELECTRONIC CALL AND PRIVACY OF CONVERSATION, B/W

TYPE	CODE	DESCRIPTION	PACK
KVS-44401	9720038	Kit with 1 single push-button, with 6+N and twisted pair system, generic video unit and B/W monitor	6

TYPE	CODE	DESCRIPTION	PACK
KVD-44401	9720039	Kit with 1 double push-button, with 6+N and twisted pair system, generic video unit and B/W monitor	4

VIDEO DOOR ENTRY KITS, 6+N SYSTEM, TWISTED PAIR, MICROPROCESSED, WITH ELECTRONIC CALL AND PRIVACY OF CONVERSATION, COLOUR

TYPE	CODE	DESCRIPTION	PACK
KVS-44501	9720112	Kit with 1 single push-button, with 6+N and twisted pair system with colour monitor	6

TYPE	CODE	DESCRIPTION	PACK
KVD-44501	9720113	Kit with 1 double push-button, with 6+N and twisted pair system with colour monitor	4

V I D E O D O O R E N T R Y K I T S

VIDEO DOOR ENTRY KITS, DIGITAL SYSTEM, COAXIAL, B/W

TYPE	CODE	DESCRIPTION	PACK
KVS-47101	9720044	Digital video door entry kit with 1 single push-button, 4 wires BUS and coaxial, with B/W monitor.	6

TYPE	CODE	DESCRIPTION	PACK
KVD-47101	9720045	Digital video door entry kit with 1 double push-button, 4 wires BUS and coaxial, with B/W monitor.	4

VIDEO DOOR ENTRY KITS, DIGITAL SYSTEM, COAXIAL, COLOUR

TYPE	CODE	DESCRIPTION	PACK
KVS-47201	9720047	Digital video door entry Kit with 1 single push-button, 4 wires BUS and coaxial, with colour monitor.	6

TYPE	CODE	DESCRIPTION	PACK
KVD-47201	9720107	Video door entry Kit with 1 double push-button and digital system, 4 wires BUS and coaxial with colour monitor.	4

VIDEO DOOR ENTRY KITS

VIDEO DOOR ENTRY KITS, DIGITAL SYSTEM, TWISTED PAIR, B/W

TYPE	CODE	DESCRIPTION
KVS-47401	9720040	Digital video door entry kit with 1 single push-button, 4 wires BUS and twisted pair, with B/W monitor.
PACK		
6		

TYPE	CODE	DESCRIPTION
KWS-47421	9720131	Digital video door entry kit with 1 single push-button, 4 wires BUS and twisted pair, with B/W monitor. Without electronic lock. It includes a surface box.
PACK		
6		

TYPE	CODE	DESCRIPTION
KVD-47401	9720041	Digital video door entry Kit with 1 double push-button, 4 wires BUS and twisted pair, with B/W monitor.
PACK		
4		

VIDEO DOOR ENTRY KITS, DIGITAL SYSTEM, TWISTED PAIR, COLOUR

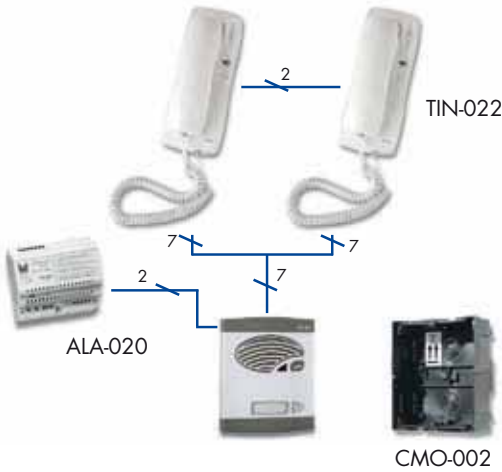
TYPE	CODE	DESCRIPTION
KVS-47501	9720108	Digital video door entry kit with 1 single push-button, 4 wires BUS and twisted pair, with colour monitor.
PACK		
6		

TYPE	CODE	DESCRIPTION
NEW KWS-47521	9720132	Digital video door entry kit with 1 single push-button, 4 wires BUS and twisted pair, with colour monitor. Without electronic lock. It includes a surface box.
PACK		
6		


TYPE	CODE	DESCRIPTION
KVD-47501	9720109	Digital video door entry kit with 1 double push-button, 4 wires BUS and twisted pair, with colour monitor.
PACK		
4		

INTERNAL COMMUNICATIONN KITS


INTERNAL COMMUNICATION KITS




TYPE	CODE	DESCRIPTION	PACK
KAS-42021	9700104	Kit for 1 single push-button with interna communication between the phones, with 4+N call system without electronic lock	6



TYPE	CODE	DESCRIPTION	PACK
KBS-42121	9700102	Kit for 1 single push-button with internal communication between the phones, with 4+N call system without electronic lock. It includes a 4 push-buttons telephone and a surface box.	6



TYPE	CODE	DESCRIPTION	PACK
KAD-42021	9700105	Kit for 1 double push-button with interna communication between the phones, with 4+N call system without electronic lock	6



TYPE	CODE	DESCRIPTION	PACK
KBD-42121	9700103	Kit for 1 double push-button with interna communication between the phones, with 4+N call system without electronic lock. It includes a 4 push-buttons telephone and a surface box.	6

V A N D A L R E S I S T A N T K I T S

AUDIO VANDAL RESISTANT KITS

TYPE	CODE	DESCRIPTION	PACK
KAS-67001	9700118	Vandal resistant kit for 1 single push-button, with 2 wire digital system	6

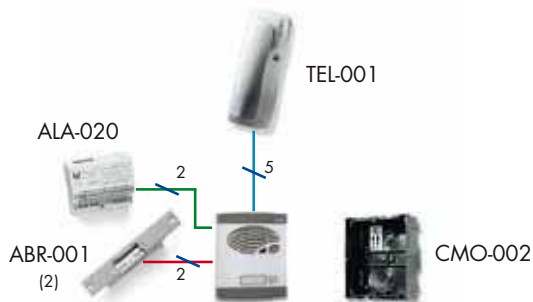
TYPE	CODE	DESCRIPTION	PACK
KAD-67001	9700119	Vandal resistant kit for 1 double push-button, with 2 wire digital system	6

VIDEO VANDAL RESISTANT KITS

TYPE	CODE	DESCRIPTION	PACK
KVS-67401	9720129	Vandal resistant kit with 1 single push-button, 4 wires BUS and twisted pair, with B/W monitor	6

TYPE	CODE	DESCRIPTION	PACK
KVD-67401	9720130	Vandal resistant kit with 1 double push-button, 4 wires BUS and twisted pair, with B/W monitor	4

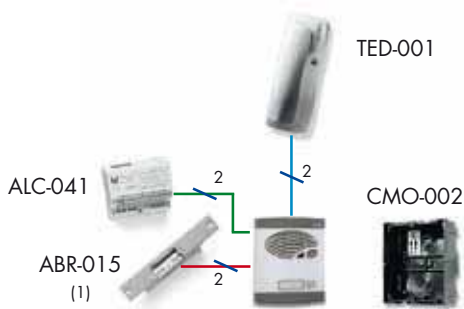
4+N ELECTRONIC DOOR ENTRY KITS



SECTIONS TABLE		
	⊘	⊘
Up to 50 metres		
—	1 mm ²	1.1 mm
Up to 25 metres		
—	0.5 mm ²	0.8 mm
Up to 100 metres		
1	0.25 mm ²	0.6 mm
2	0.5 mm ²	0.8 mm
3	0.75 mm ²	1.0 mm
4	1 mm ²	1.1 mm

- (1) Use a separate cable hose
- (2) Max. 12 Vac, 800 mA
- (3) Section dependent on the number of telephones in the dwelling

DIGITAL ELECTRONIC DOOR ENTRY KITS



SECTIONS TABLE		
	⊘	⊘
Up to 100 metres		
—	1 mm ²	1.1 mm
Up to 25 metres		
—	1 mm ²	1.1 mm
—	0.5 mm ²	0.8 mm

- (1) Max. 15 Vac, 0.5 mA

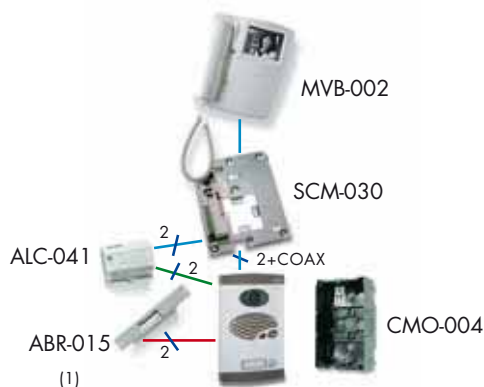
6+N VIDEO DOOR ENTRY KITS



SECTIONS TABLE		
	⊘	⊘
Up to 25 metres		
—	1 mm ²	1.1 mm
—	0.5 mm ²	0.8 mm
Up to 100 metres		
—	1 mm ²	1.1 mm
1	0.25 mm ²	0.6 mm
2	0.5 mm ²	0.8 mm
3	0.75 mm ²	1.0 mm
4	1 mm ²	1.1 mm

- (1) Use a separate cable hose
- (2) Max. 12 Vac, 800 mA
- (3) Section dependent on the number of telephones in the dwelling

DIGITAL VIDEO DOOR ENTRY KITS



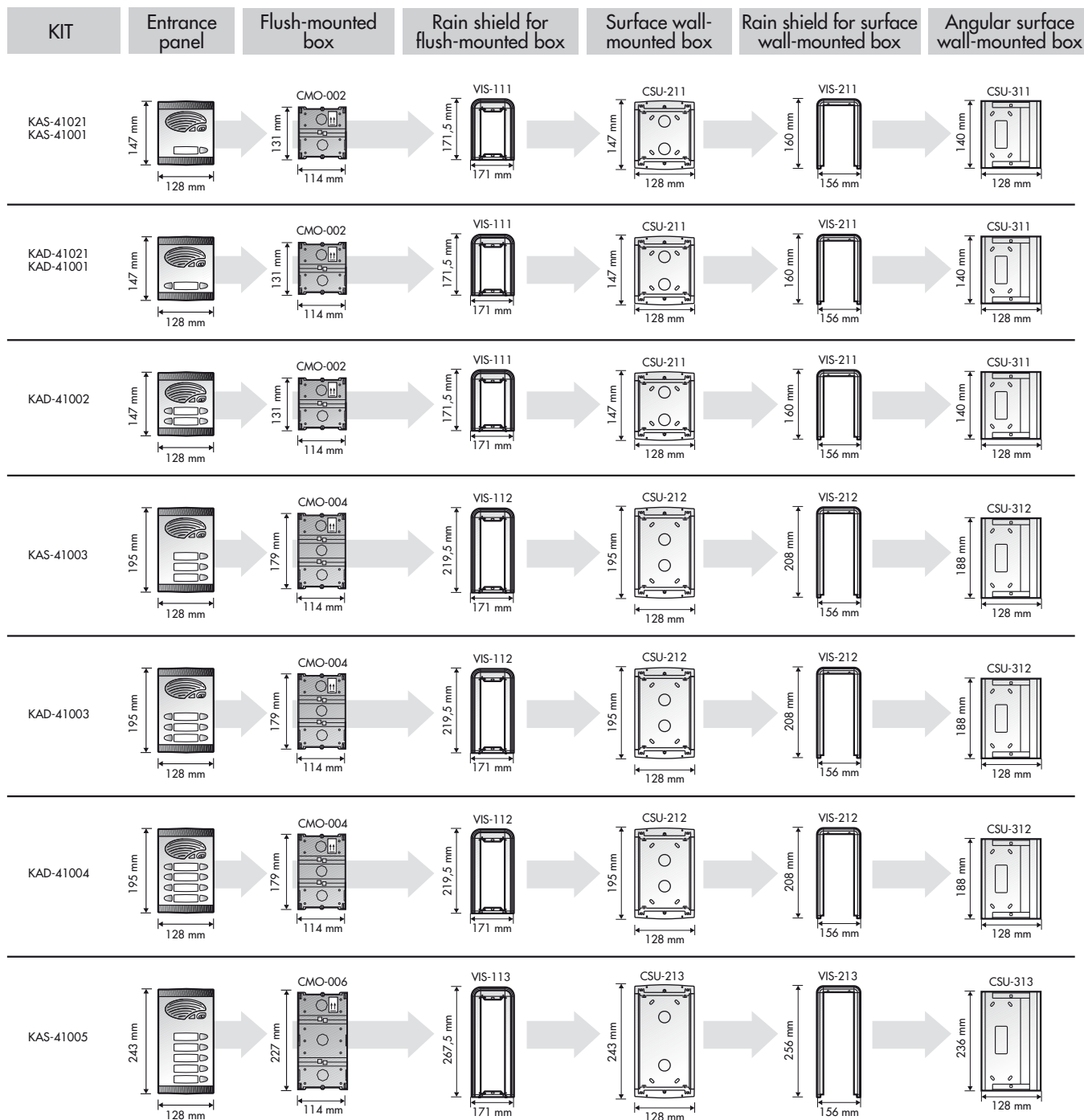
SECTIONS TABLE		
	⊘	⊘
Up to 100 metres		
—	1 mm ²	1.1 mm
Up to 25 metres		
—	1 mm ²	1.1 mm
—	0.5 mm ²	0.8 mm

- (1) Max. 15 Vac, 0.5 mA

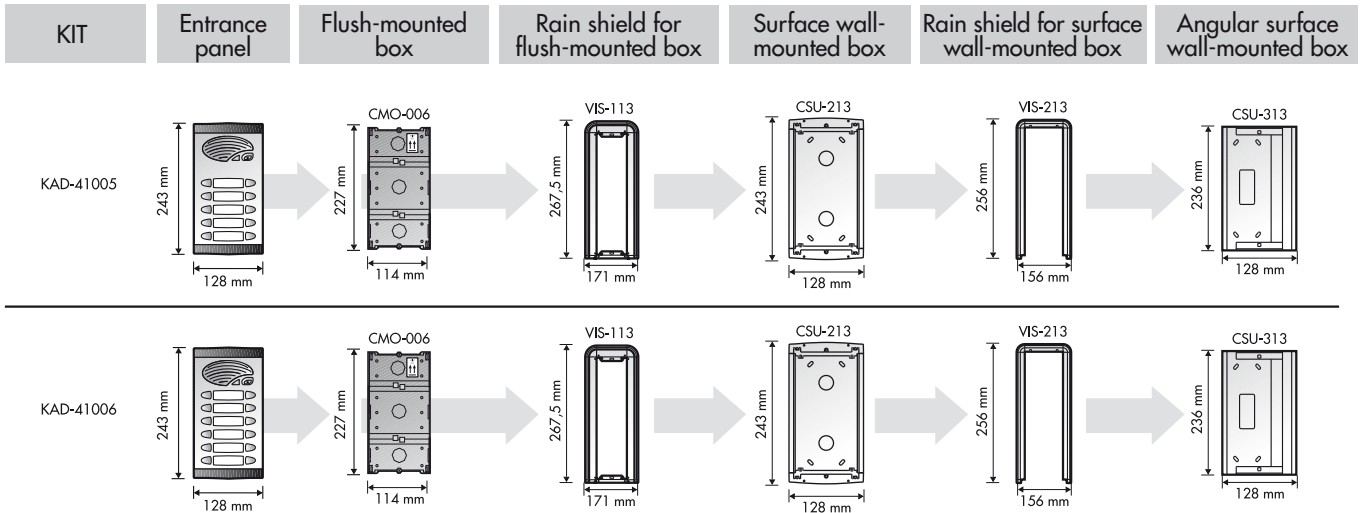
S E C T I O N S

KIT ENTRANCE PANELS: DIMENSIONS AND ACCESSORIES

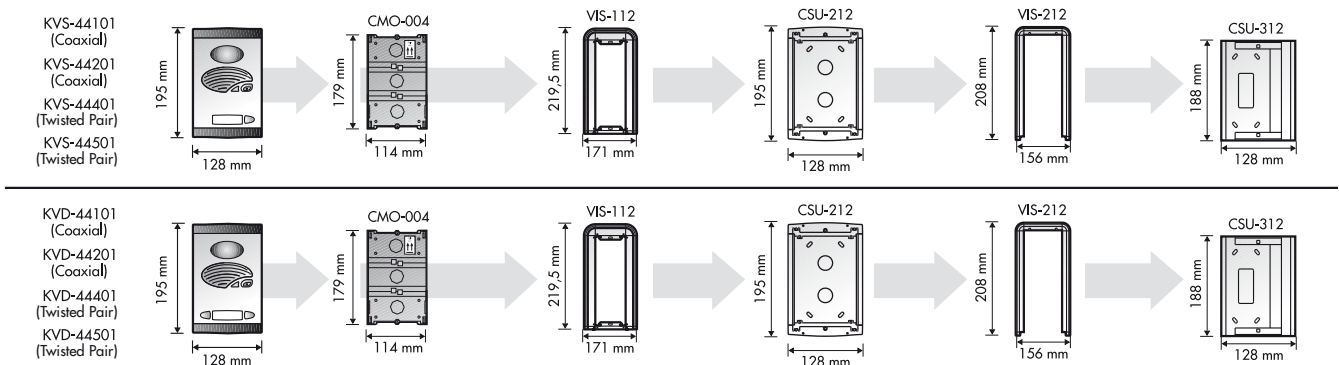
DOOR ENTRY KITS



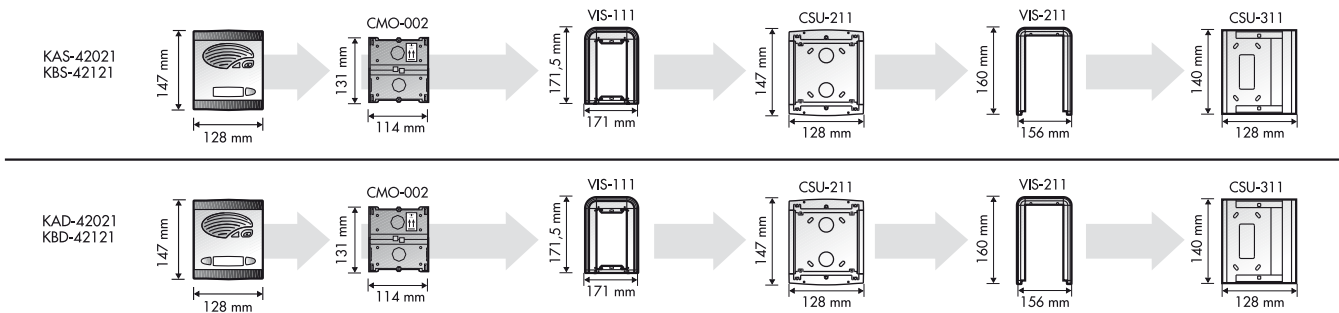
S E C T I O N S



DOOR ENTRY KITS



INTERCOMMUNICATION KITS





D O O R E N T R Y S Y S T E M S



AUDIO DOOR ENTRY SYSTEM

AUDIO DOOR ENTRY SYSTEM, 4+N, WITH ELECTRONIC CALL



TELEPHONES

TYPE	CODE	DESCRIPTION	PACK
TEL-001	9600001	Telephone with electronic call	10/60
TEL-101	9600018	Customised telephone with electronic call	10/60
TEL-002	9600009	Telephone with electronic call, 2 push buttons	10/60

ENTRANCE PANEL MODULES WITH AUDIO UNIT, CARD HOLDER OR BLANK

TYPE	CODE	DESCRIPTION	PACK
MAN-410	9670115	Entrance panel with 4+N audio group and with electronic call	12
MMN-410	9670126	Entrance panel with 4+N audio group and with electronic call. With card-holder	9
MTN-000	9670018	Entrance panel with card holder	12
MLN-000	9670021	Blank entrance panel	12



POWER SUPPLY UNITS

TYPE	CODE	DESCRIPTION	PACK
ALA-040	9620001	25 VA power supply unit, electronic door entry system	15
ALA-020	9620002	16 VA power supply unit for kit, electronic door entry system	15



For pushbutton entrance panel modules, accessories, cables, etc., see details on page 48.

SAMPLE QUOTATION

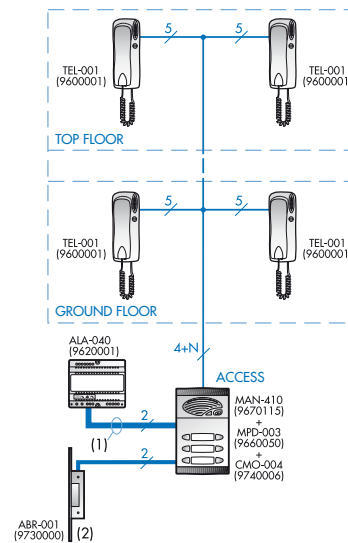
SINGLE POINT OF ENTRY

(SINGLE ELECTRIC LOCK AND FLUSH-MOUNTED BOXES ARE INCLUDED)

N° OF DWELLINGS	1x3	2x3	2x4	2x5	2x6 *	3x4	3x5	3x6	4x4	4x5	4x6	6x5	6x6
MODEL													
TEL-001	3	6	8	10	12	12	15	18	16	20	24	30	36
MAN-410	1	1	1	1	1	1	1	1	1	1	1	1	1
MLN-000						1	1	1	1	1	1	2	2
MPS-003	1												
MPS-004						1							
MPS-005							1						
MPS-006								1					
MPD-003		1											
MPD-004			1			1			2				
MPD-005				1			1			2		3	
MPD-006					1			1			2		3
ALA-040	1	1	1	1	1	1	1	1	1	1	1	1	1
CEM-001						1	1	1	1	1	1	2	2
CMO-004	1	1	1				2			2			
CMO-006				1	1			2	2		2	3	3
ABR-001	1	1	1	1	1	1	1	1	1	1	1	1	1

* Installation for 2 dwellings per floor and 6 floors

TYPICAL DIAGRAM AND SECTIONS



SECTIONS TABLE		
Up to 50 metres	1 mm ²	1.1 mm
Up to 25 metres	0.5 mm ²	0.8 mm
Up to 100 metres	1 mm ²	1.1 mm

- (1) Use a separate cable hose
- (2) Max. 12 Vac, 800 mA
- (3) Section dependent on the number of telephones in the dwelling

AUDIO DOOR ENTRY SYSTEM

AUDIO DOOR ENTRY SYSTEM, 4+N, WITH BUZZER CALL



TELEPHONES

TYPE	CODE	DESCRIPTION	PACK
TUN-001	9600002	Telephone with electronic or buzzer call (Universal)	10/60
TUN-101	9600013	Customised telephone with electronic or buzzer call (Universal)	10/60
TUN-002	9600011	Telephone with 2 push buttons with electronic or buzzer call (Universal)	10/60



PLAQUES D'ENTRÉE AVEC MODULE AUDIO, SUPPORTS DE CARTES OU NUE

TYPE	CODE	DESCRIPTION	PACK
MAN-451	9670119	Entrance panel with 4+N audio unit and with electronic and buzzer call	12
MMN-451	9670127	Entrance panel with universal 4+N audio unit and with electronic and buzzer call. With card-holder.	9
MTN-000	9670018	Entrance panel with card holder	12
MLN-000	9670021	Blank entrance panel	12



POWER SUPPLY UNITS

TYPE	CODE	DESCRIPTION	PACK
ALA-040	9620001	25 VA power supply unit, electronic door entry system	15

For pushbutton entrance panel modules, accessories, cables, etc., see details on page 48.

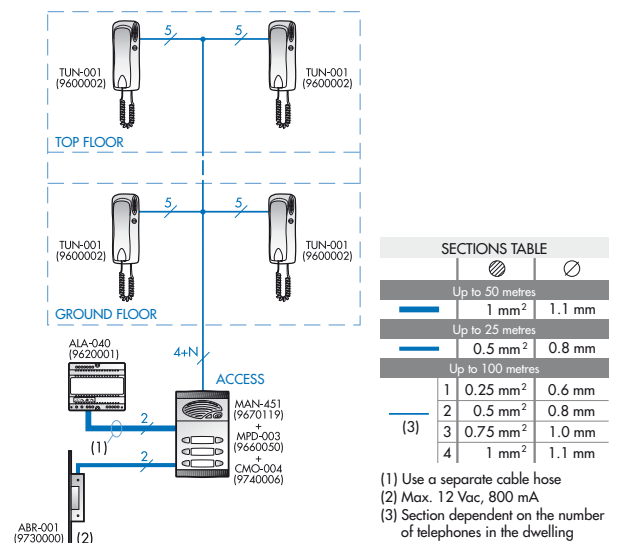
SAMPLE QUOTATION

SINGLE POINT OF ENTRY
(SINGLE ELECTRIC LOCK AND FLUSH-MOUNTED BOXES ARE INCLUDED)

N° OF DWELLINGS	1x3	2x3	2x4	2x5	2x6*	3x4	3x5	3x6	4x4	4x5	4x6	6x5	6x6
MODEL													
TUN-001	3	6	8	10	12	12	15	18	16	20	24	30	36
MAN-451	1	1	1	1	1	1	1	1	1	1	1	1	1
MLN-000						1	1	1	1	1	1	2	2
MPS-003	1												
MPS-004						1							
MPS-005							1						
MPS-006								1					
MPD-003		1											
MPD-004			1			1			2				
MPD-005				1			1			2		3	
MPD-006					1			1			2		3
ALA-040	1	1	1	1	1	1	1	1	1	1	1	1	1
CEM-001						1	1	1	1	1	1	2	2
CMO-004	1	1	1			2			2				
CMO-006				1	1		2	2		2	2	3	3
ABR-001	1	1	1	1	1	1	1	1	1	1	1	1	1

* Installation for 2 dwellings per floor and 6 floors

TYPICAL DIAGRAM AND SECTIONS



AUDIO DOOR ENTRY SYSTEM

AUDIO DOOR ENTRY SYSTEM, 4+N, MICROPROCESSED, WITH ELECTRONIC CALL, MULTIPLE ACCESS POINTS, CONCIERGE



TELEPHONES

TYPE	CODE	DESCRIPTION	PACK
TEL-001	9600001	Telephone with electronic call	10/60
TEL-101	9600018	Customised telephone with electronic call	10/60
TEL-002	9600009	Telephone with electronic call, 2 push buttons	10/60
TUN-001	9600002	Telephone with electronic or buzzer call (Universal)	10/60
TUN-002	9600011	Telephone with 2 push buttons with electronic or buzzer call (Universal)	10/60

ENTRANCE PANELS WITH AUDIO UNIT, CARD HOLDER OR BLANK

TYPE	CODE	DESCRIPTION	PACK
MAN-430	9670116	Entrance panel with microprocessor based 4+N audio group, with electronic call and multiple access points.	12
MMN-430	9670128	Entrance panel with microprocessor based 4+N audio group, with electronic call and multiple access points. With card-holder.	9
MTN-000	9670018	Entrance panel with card-holder	12
MLN-000	9670021	Blank entrance panel	12
AAL-001	9730005	Accessory that allows to use entrance panel modules with 4+N audio unit and electronic call in installations with buzzer call telephones	18

POWER SUPPLY UNITS

TYPE	CODE	DESCRIPTION	PACK
ALA-040	9620001	25 VA power supply unit, electronic door entry system	15

CONCIERGERIE

TYPE	CODE	DESCRIPTION	PACK
COA-010	9680001	Telephone for porter or reception, 9 or 10 rows	5
COA-012	9680002	Telephone for porter or reception, 11 or 12 rows	5
COA-014	9680003	Telephone for porter or reception, 13 or 14 rows	6
COA-016	9680004	Telephone for porter or reception, 15 or 16 rows	6
MAN-460	9670117	Entrance panel with 4+N audio group and with electronic call for porter	12

For pushbutton entrance panel modules, accessories, cables, etc., see details on page 48.

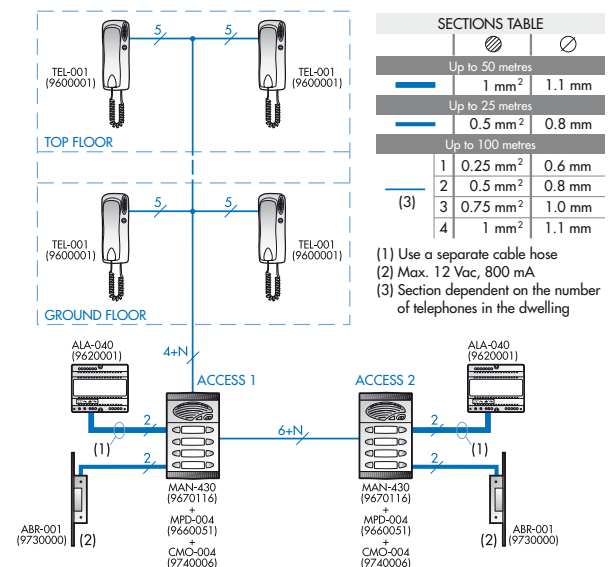
SAMPLE QUOTATION

2 POINTS OF ENTRY
(SINGLE ELECTRIC LOCK AND FLUSH-MOUNTED BOXES ARE INCLUDED)

N° OF DWELLINGS	1x3	2x3	2x4	2x5	2x6*	3x4	3x5	3x6	4x4	4x5	4x6	6x5	6x6
MODEL													
TEL-001	3	6	8	10	12	12	15	18	16	20	24	30	36
MAN-430	2	2	2	2	2	2	2	2	2	2	2	2	2
MLN-000						2	2	2	2	2	2	4	4
MPS-003	2												
MPS-004						2							
MPS-005							2						
MPS-006								2					
MPD-003		2											
MPD-004			2			2			4				
MPD-005				2			2			4		6	
MPD-006					2			2			4		6
ALA-040	2	2	2	2	2	2	2	2	2	2	2	2	2
CEM-001						2	2	2	2	2	2	4	4
CMO-004	2	2	2				4			4			
CMO-006				2	2		4	4		4	4	6	6
ABR-001	2	2	2	2	2	2	2	2	2	2	2	2	2

* Installation for 2 dwellings per floor and 6 floors

TYPICAL DIAGRAM AND SECTIONS



AUDIO DOOR ENTRY SYSTEM

AUDIO DOOR ENTRY SYSTEM, 4+N, MICROPROCESSED, WITH ELECTRONIC CALL AND PRIVACY OF CONVERSATION, SIMPLE AND MULTIPLE ACCESS POINTS



9600003

9600012



9670118



9670137



9670018



9670021



9620001

TELEPHONES

TYPE	CODE	DESCRIPTION	PACK
TES-001	9600003	Telephone with electronic call and privacy of conversation	10/60
TES-002	9600012	Telephone with 2 push buttons with electronic call and privacy of conversation	10/60

ENTRANCE PANEL MODULES WITH AUDIO UNIT, CARD HOLDER OR BLANK

TYPE	CODE	DESCRIPTION	PACK
MAN-441	9670118	Entrance panel with 4+N audio group and with electronic call, privacy of conversation and multiple access points	12
MMN-441	9670137	Entrance panel with 4+N audio group and with electronic call, privacy of conversation and multiple access points. With card-holder.	9
MTN-000	9670018	Entrance panel with card holder	12
MLN-000	9670021	Blank entrance panel	12

POWER SUPPLY UNITS

TYPE	CODE	DESCRIPTION	PACK
ALA-040	9620001	25 VA power supply unit, electronic door entry system	15

For pushbutton entrance panel modules, accessories, cables, etc., see details on page 48.

SAMPLE QUOTATION

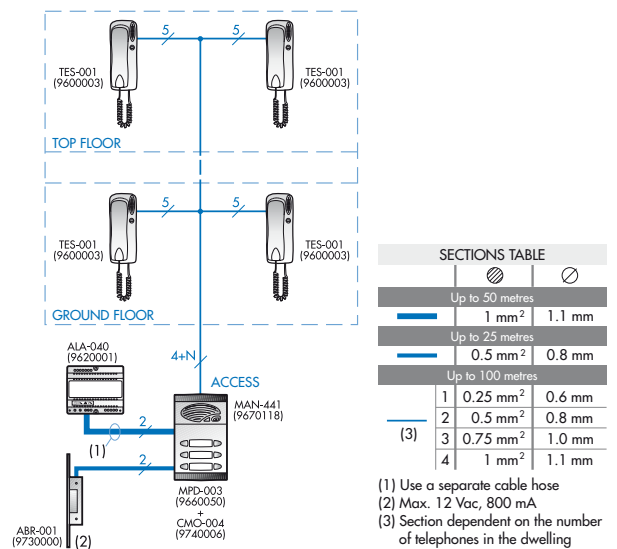
SINGLE POINT OF ENTRY

(SINGLE ELECTRIC LOCK AND FLUSH-MOUNTED BOXES ARE INCLUDED)

Nº OF DWELLINGS	1x3	2x3	2x4	2x5	2x6*	3x4	3x5	3x6	4x4	4x5	4x6	6x5	6x6
MODEL													
TES-001	3	6	8	10	12	12	15	18	16	20	24	30	36
MAN-441	1	1	1	1	1	1	1	1	1	1	1	1	1
MLN-000						1	1	1	1	1	1	2	2
MPS-003	1												
MPS-004						1							
MPS-005							1						
MPS-006								1					
MPD-003		1											
MPD-004			1			1			2				
MPD-005				1			1			2		3	
MPD-006					1			1			2		3
ALA-040	1	1	1	1	1	1	1	1	1	1	1	1	1
CEM-001						1	1	1	1	1	1	2	2
CMO-004	1	1	1			2			2				
CMO-006				1	1		2	2		2	2	3	3
ABR-001	1	1	1	1	1	1	1	1	1	1	1	1	1

* Installation for 2 dwellings per floor and 6 floors

TYPICAL DIAGRAM AND SECTIONS



AUDIO DOOR ENTRY SYSTEM

AUDIO DOOR ENTRY SYSTEM, 4+N CALL SYSTEM WITH ELECTRONIC CALL AND INTERNAL COMMUNICATION SYSTEM



9600001

9600009



9600014



9670115



9670126



9670018



9670021



9650001



9620001

TELEPHONES

TYPE	CODE	DESCRIPTION	PACK
TEL-001	9600001	Telephone with electronic call	10/60
TEL-002	9600009	Telephone with electronic call 2 push buttons	10/60
TIN-001	9600014	Telephone for internal communication. Compatible with door entry installations using a conventional 4+N system and with electronic call	10/60

ENTRANCE PANEL MODULES WITH AUDIO UNIT, CARD HOLDER OR BLANK

TYPE	CODE	DESCRIPTION	PACK
MAN-410	9670115	Entrance panel with 4+N audio group and with electronic call	12
MMN-410	9670126	Entrance panel with 4+N audio group and with electronic call. With card-holder.	9
MTN-000	9670018	Entrance panel with card holder	12
MLN-000	9670021	Blank entrance panel	12

INTERNAL COMMUNICATION SYSTEM MODULE

TYPE	CODE	DESCRIPTION	PACK
GCI-001	9650001	Control unit for internal communication system	9

POWER SUPPLY UNITS

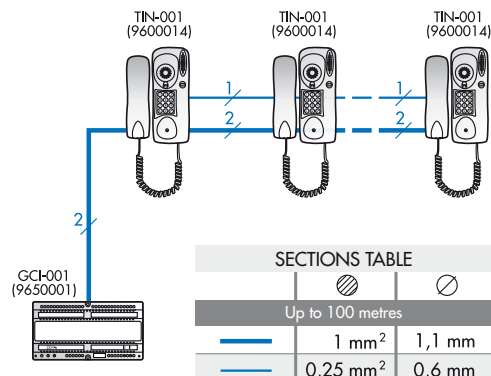
TYPE	CODE	DESCRIPTION	PACK
ALA-040	9620001	25 VA power supply unit, electronic door entry system	15

For pushbutton entrance panel modules, accessories, cables, etc., see details on page 48.

SAMPLE QUOTATION

Nº OF DWELLINGS	2	5	10	16
MODEL				
TIN-001	2	5	10	16
GCI-001	1	1	1	1

TYPICAL DIAGRAM AND SECTIONS



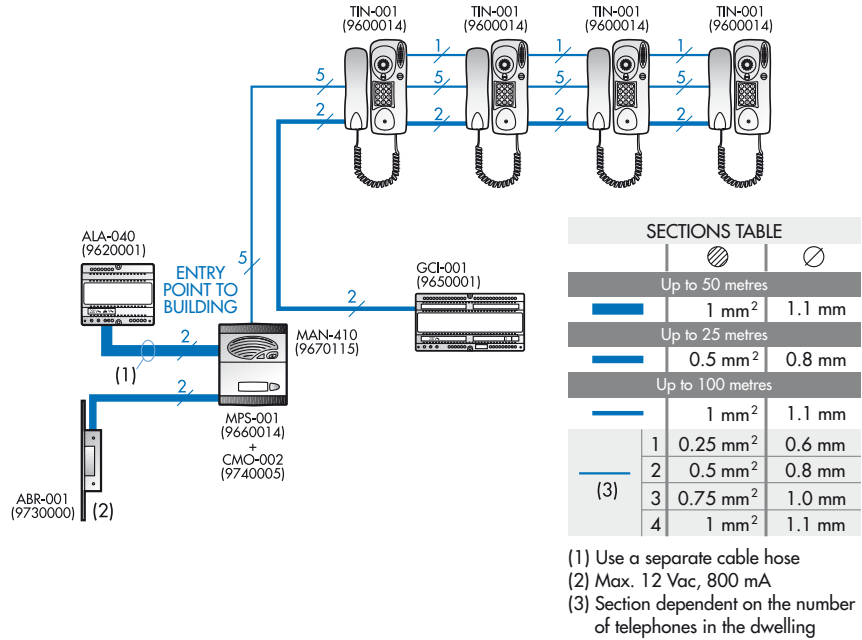
AUDIO DOOR ENTRY SYSTEM

SAMPLE QUOTATION

DETACHED HOUSE WITH ONE POINT OF ENTRY
(SINGLE ELECTRIC LOCK AND FLUSH-MOUNTED BOXES ARE INCLUDED)

N° OF DWELLINGS	2	5	10	16
MODEL				
TIN-001	2	5	10	16
MAN-410	1	1	1	1
MPS-001	1	1	1	1
ALA-040	1	1	1	1
GCI-001	1	1	1	1
CMO-002	1	1	1	1
ABR-001	1	1	1	1

TYPICAL DIAGRAM AND SECTIONS

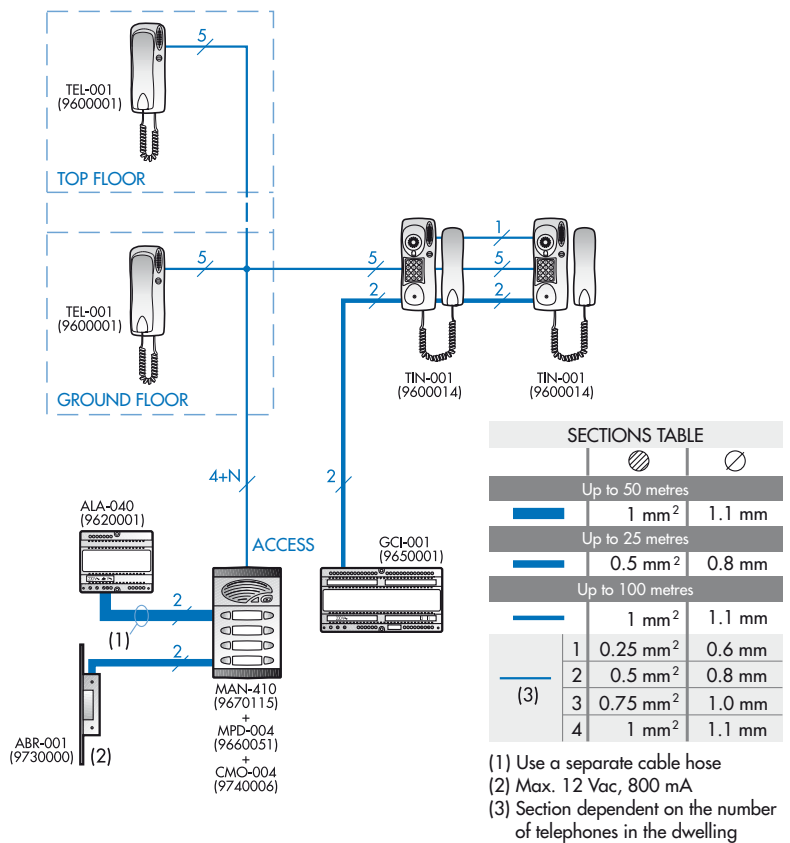


SAMPLE QUOTATION

SINGLE POINT OF ENTRY
(SINGLE ELECTRIC LOCK AND FLUSH-MOUNTED BOXES ARE INCLUDED)

N° OF DWELLINGS	1x3	2x3	2x4	2x5	2x6*	3x4	3x5	4x4
MODEL								
TIN-001	3	6	8	10	12	12	15	16
GCI-001	1	1	1	1	1	1	1	1
MAN-410	1	1	1	1	1	1	1	1
MLN-000						1	1	1
MPS-003	1						1	
MPS-004								1
MPD-003		1						2
MPD-004			1			1		2
MPD-005				1			1	
MPD-006					1			1
ALA-040	1	1	1	1	1	1	1	1
CEM-001						1	1	2
CMO-004	1	1	1			2		
CMO-006				1	1		2	1
ABR-001	1	1	1	1	1	1	1	1

TYPICAL DIAGRAM AND SECTIONS



* Installation for 2 dwellings per floor and 6 floors

DIGITAL AUDIO DOOR ENTRY SYSTEM, WITH ELECTRONIC CALL, PRIVACY OF CONVERSATION, AND SIMPLE AND MULTIPLE ACCESS POINTS. CONCIERGE



9600007 9600010



9670144



9670145



9670018



9670021



9730030



9730068



9800002



9680008



9800033
9800037
9800038



9620011



9730054



9800012

TELEPHONES

TYPE	CODE	DESCRIPTION	PACK
TED-001	9600007	Digital telephone with electronic call and privacy of conversation	10/60
TED-002	9600010	Digital telephone with electronic call and privacy of conversation, 2 push-buttons	10/60

ENTRANCE PANEL MODULES WITH AUDIO UNIT, CARD HOLDER OR BLANK

TYPE	CODE	DESCRIPTION	PACK
MAN-470	9670144	Entrance panel with digital audio group	12
MMN-470	9670145	Entrance panel with digital audio group. With card-holder	9
MTN-000	9670018	Entrance panel with card holder	12
MLN-000	9670021	Blank entrance panel	12
COL-000	9730030	Concentrator of 16 calls for digital electronic door entry systems	18

ENTRANCE PANELS WITH KEYPAD

TYPE	CODE	DESCRIPTION	PACK
PAK-41000	9800033	Entrance panel with digital audio unit, numerical display and numerical keypad	7
PTN-00000	9800002	Entrance panel with call code-house indicator directory	7
PAK-61000	9800071	Vandal resistant entrance panel with digital audio unit, numerical display and numerical keypad	5
PTN-60000	9800073	Vandal resistant entrance panel with call code-house indicator directory	5
AIB-010	9730068	Estate identifying accessory (not equipped with concentrator of calls)	18
AIB-001	9730055	Accessory for digital installations with keypad in buildings with more than 150 dwellings.	18

POWER SUPPLY UNITS

TYPE	CODE	DESCRIPTION	PACK
ALA-040	9620001	25 VA power supply unit, electronic door entry system	15
ALC-070	9620014	DC power supply, digital audio & video door entry system with keypad	9

CONCIERGE

TYPE	CODE	DESCRIPTION	PACK
TCD-001	9680008	Telephone for digital concierge system with electronic call and privacy of conversation	10/60
PAK-03020	9800012	Concierge panel with digital audio unit, numeric display and numeric keypad.	7
PAK-42000	9800037	Entrance panel with digital audio unit, numeric display and numeric keypad for installations with concierge system	7
PAK-44000	9800038	Entrance panel with digital audio unit, numeric display and numeric keypad for external entrance in installations with concierge system.	7
SSC-001	9730054	Desktop support for digital concierge system with telephone.	4

For pushbutton entrance panel modules, accessories, cables, etc., see details on page 48.

T H P U S H B U T T O N O R K E Y P A D U N I T

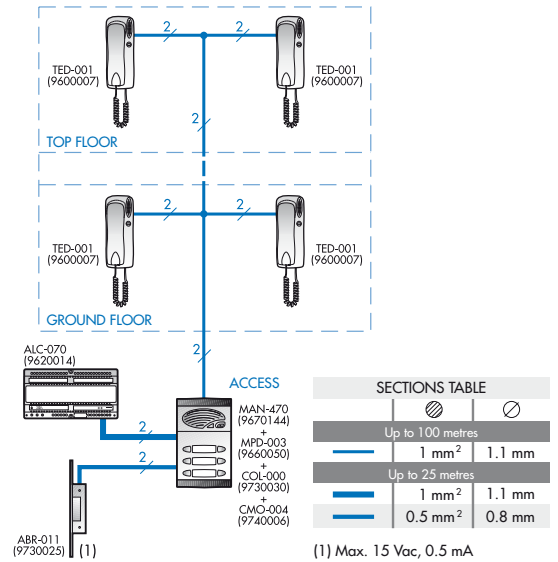
SAMPLE QUOTATION

SINGLE POINT OF ENTRY
(SINGLE ELECTRIC LOCK AND FLUSH-MOUNTED BOXES ARE INCLUDED)

Nº OF DWELLINGS	1x3	2x3	2x4	2x5	2x6*	3x4	3x5	3x6	4x4	4x5	4x6	6x5	6x6
MODEL													
TED-001	3	6	8	10	12	12	15	18	16	20	24	30	36
MAN-470	1	1	1	1	1	1	1	1	1	1	1	1	1
MLN-000						1	1	1	1	1	1	2	2
MPS-003	1												
MPS-004						1							
MPS-005							1						
MPS-006								1					
MPD-003		1							1				
MPD-004			1			1			2				
MPD-005				1			1			2		3	
MPD-006					1			1			2		3
ALC-070	1	1	1	1	1	1	1	1	1	1	1	1	1
COL-000	1	1	1	1	1	1	1	2	1	2	2	2	3
CEM-001						1	1	1	1	1	1	2	2
CMO-004	1	1	1			2			2				
CMO-006				1	1		2	2		2	2	3	3
ABR-011	1	1	1	1	1	1	1	1	1	1	1	1	1

* Installation for 2 dwellings per floor and 6 floors

TYPICAL DIAGRAM AND SECTIONS



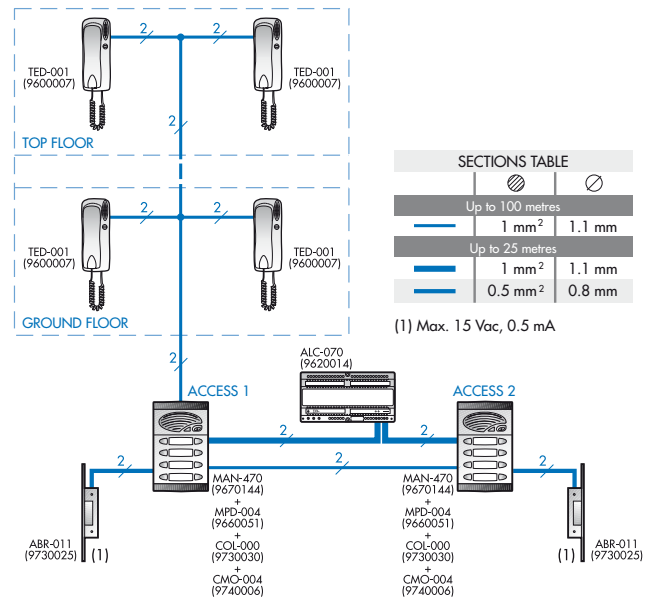
SAMPLE QUOTATION

2 POINTS OF ENTRY
(SINGLE ELECTRIC LOCK AND FLUSH-MOUNTED BOXES ARE INCLUDED)

Nº OF DWELLINGS	1x3	2x3	2x4	2x5	2x6*	3x4	3x5	3x6	4x4	4x5	4x6	6x5	6x6
MODEL													
TED-001	3	6	8	10	12	12	15	18	16	20	24	30	36
MAN-470	2	2	2	2	2	2	2	2	2	2	2	2	2
MLN-000						2	2	2	2	2	2	4	4
MPS-003	2												
MPS-004						2							
MPS-005							2						
MPS-006								2					
MPD-003		2							4				
MPD-004			2			2				4		6	
MPD-005				2			2				4	6	6
MPD-006					2			2				4	6
ALC-070	1	1	1	1	1	1	1	1	1	1	1	1	1
COL-000	2	2	2	2	2	2	2	4	2	4	4	4	6
CEM-001						2	2	2	2	2	2	4	4
CMO-004	2	2	2			4			4				
CMO-006				2	2		4	4		4	4	6	6
ABR-001	2	2	2	2	2	2	2	2	2	2	2	2	2

* Installation for 2 dwellings per floor and 6 floors

TYPICAL DIAGRAM AND SECTIONS

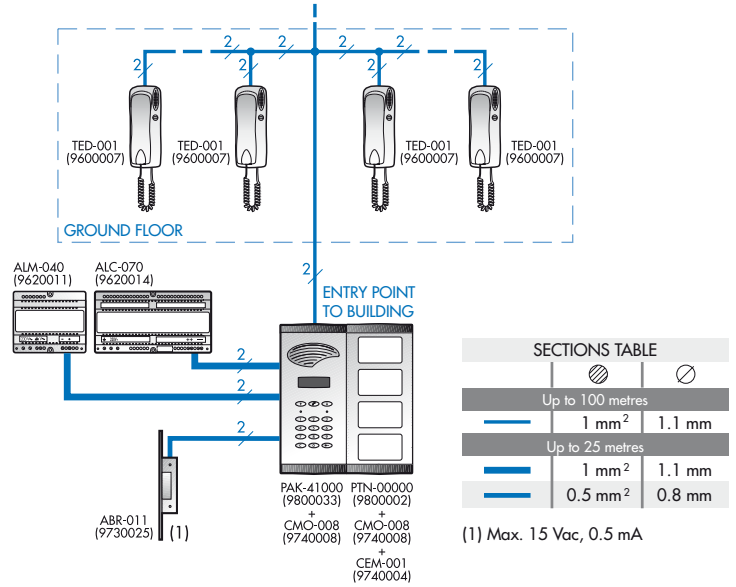


SAMPLE QUOTATION

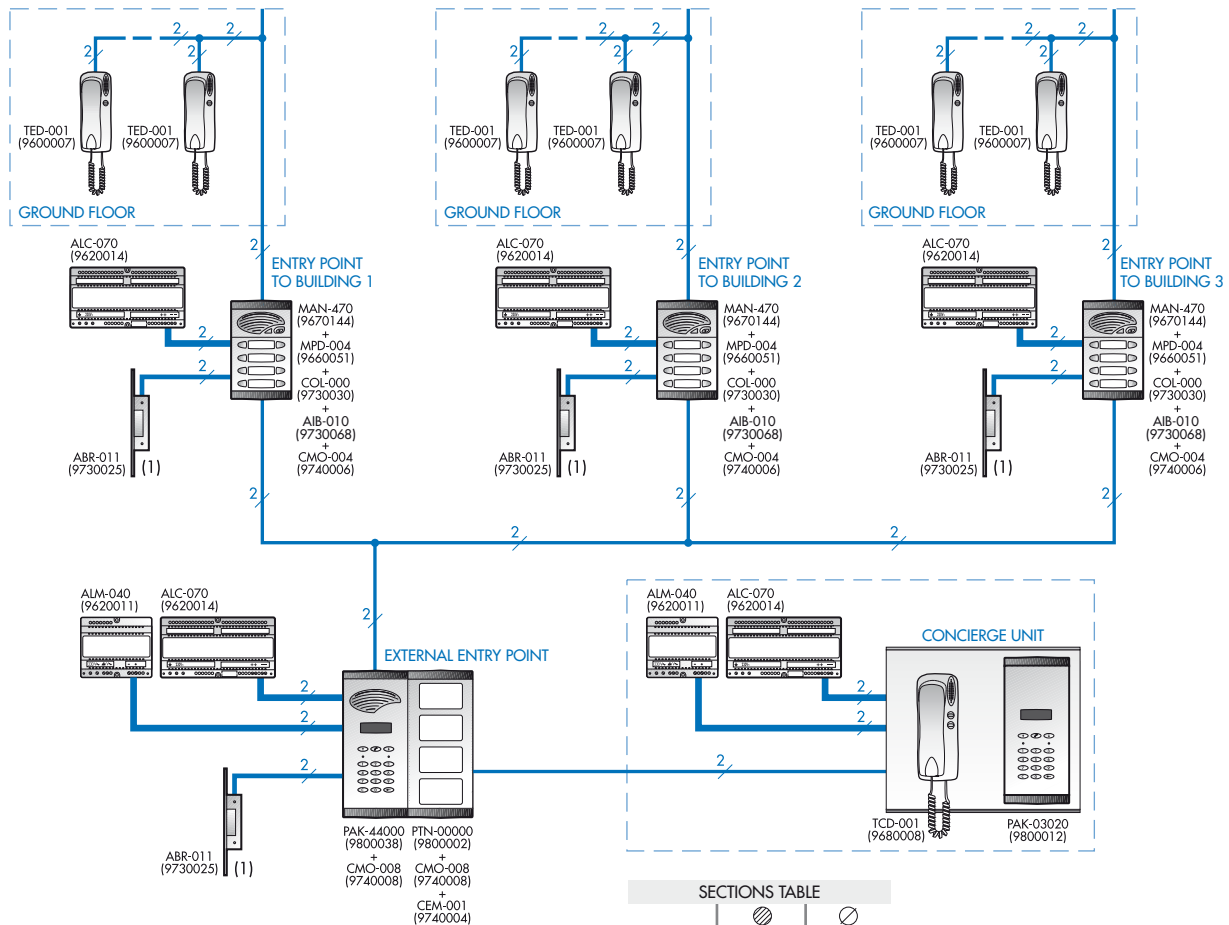
1 POINT OF ENTRY WITH KEYPAD
(SINGLE ELECTRIC LOCK AND FLUSH-MOUNTED
BOXES ARE INCLUDED)

Nº OF DWELLINGS	4x10	6x10	6x15	8x15	10x15
MODEL					
TED-001	40	60	90	120	150
PAK-41000	1	1	1	1	1
PTN-00000	1	1	1	2	2
ALM-040	1	1	1	1	1
ALC-070	1	1	1	1	1
CEM-001	1	1	1	2	2
CMO-008	2	2	2	3	3
ABR-011	1	1	1	1	1

TYPICAL DIAGRAM AND SECTIONS



HOUSING STATE WITH CONCIERGE SYSTEM



UNIVERSAL PRODUCTS FOR REPLACEMENTS



9600002



9600013

TELEPHONES

TYPE	CODE	DESCRIPTION	PACK
TUN-001	9600002	Telephone with electronic or buzzer call (Universal)	10/60
TUN-101	9600013	Customised telephone with electronic or buzzer call (Universal)	10/60
TUN-002	9600011	Telephone with 2 push buttons with electronic or buzzer call (Universal)	10/60



9670119



9670127

ENTRANCE PANEL MODULES WITH AUDIO UNIT, CAMERA AND OR BLANK

TYPE	CODE	DESCRIPTION	PACK
MAN-451	9670119	Entrance panel with 4+N audio unit and with electronic and buzzer call	12
MMN-451	9670127	Entrance panel with universal 4+N audio unit and with electronic and buzzer call. With card-holder.	9

For pushbutton entrance panel modules, accessories, cables, etc., see details on page 48.



VIDEO DOOR ENTRY SYSTEMS



V I D E O D O O R E N T R Y S Y S T E M

VIDEO DOOR ENTRY SYSTEM, 6+N AND COAXIAL, MICROPROCESSED, WITH ELECTRONIC CALL AND PRIVACY OF CONVERSATION, SIMPLE AND MULTIPLE ACCESS POINTS, B/W AND COLOUR



MONITORS

TYPE	CODE	DESCRIPTION	PACK
MVB-001	9630000	Analogic B/W video door entry monitor	10
MVC-001	9630001	4+N colour video monitor	10
SCM-010	9630002	Connection bracket for analogic monitor with connections	11



TELEPHONES

TYPE	CODE	DESCRIPTION	PACK
TES-001	9600003	Telephone with electronic call and privacy of conversation	10/60
TES-002	9600012	Telephone with 2 push buttons with electronic call and privacy of conversation	10/60



ENTRANCE PANEL MODULES WITH AUDIO UNIT, CAMERA AND CARD HOLDER OR BLANK

TYPE	CODE	DESCRIPTION	PACK
MVN-301	9670009	Entrance panel with generic B/W video unit coaxial	12
MVN-903	9670106	Compact panel. Generic B/W video unit	9
MDN-441	9670130	Entrance panel with MAN-441 and generic B/W video unit coaxial	9
MDT-441	9670131	Entrance panel with MAN-441 and generic B/W video unit coaxial. With card holder	9
MVN-302	9670045	Entrance panel with generic colour video unit coaxial	9
MVN-905	9670107	Compact panel generic colour video unit	12
MDN-442	9670151	Entrance panel with MAN-441 and generic color video unit coaxial	9
MDT-442	9670152	Entrance panel with MAN-441 and generic color video unit coaxial. With card holder.	9
MAN-441	9670118	Entrance panel with 4+N audio group and with electronic call, privacy of conversation and multiple access points	12
MCN-441	9670138	Entrance panel with 4+N audio group and with electronic call, privacy of conversation and multiple points of entry. Blank module	9
MMN-441	9670137	Entrance panel with 4+N audio group and with electronic call, privacy of conversation and multiple points of entry. With card-holder.	9
MTN-000	9670018	Entrance panel with card holder	12
MLN-000	9670021	Blank entrance panel	12
MLT-000	9670086	Entrance panel with card-holder and blank module	9



SPLITTERS AND TAP-OFFS

TYPE	CODE	DESCRIPTION	PACK
DIV-024	9730031	Amplified video tap-off for coaxial cable with screw terminal. 4 outputs	5/75
DIV-124	9730032	Amplified video splitter for coaxial cable with screw terminal. 4 outputs	5/75

POWER SUPPLY UNITS

TYPE	CODE	DESCRIPTION	PACK
ALA-040	9620001	25 VA power supply unit, electronic door entry system	15
ALM-040	9620011	25 VA power supply unit, video door entry system	15

 Elements suitable for B/W system

 Elements suitable for colour system

VIDEO DOOR ENTRY SYSTEM

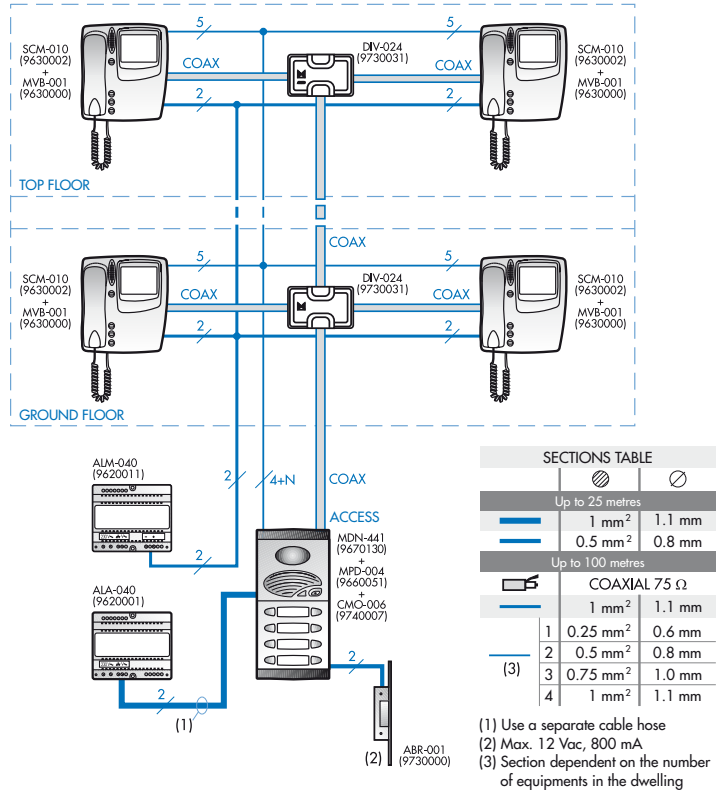
SAMPLE QUOTATION

SINGLE POINT OF ENTRY, B/W
(SINGLE ELECTRIC LOCK AND FLUSH-MOUNTED BOXES ARE INCLUDED)

N° OF DWELLINGS	1x3	2x3	2x4	2x5	2x6*	3x4	3x5	3x6	4x4	4x5	4x6	6x5	6x6
MODEL													
MVB-001	3	6	8	10	12	12	15	18	16	20	24	30	36
SCM-010	3	6	8	10	12	12	15	18	16	20	24	30	36
MDN-441	1	1	1	1	1								
MVN-301						1	1	1	1	1	1	1	1
MAN-441						1	1	1	1	1	1	1	1
MLN-000												1	1
MPS-003	1												
MPS-004						1							
MPS-005							1						
MPS-006								1					
MPD-003		1											
MPD-004			1			1			2				
MPD-005				1			1			2		3	
MPD-006					1			1			2		3
ALM-040	1	1	1	1	1	1	1	1	1	1	1	1	1
ALA-040	1	1	1	1	1	1	1	1	1	1	1	1	1
DIV-024	3	3	4	5	6	4	5	6	4	5	6	10	12
CEM-001						1	1	1	1	1	1	2	2
CMO-004							2		2				
CMO-006	1	1	1					2	2	2	2	3	3
CMO-008				1	1								
ABR-001	1	1	1	1	1	1	1	1	1	1	1	1	1

* Installation for 2 dwellings per floor and 6 floors

TYPICAL DIAGRAM AND SECTIONS



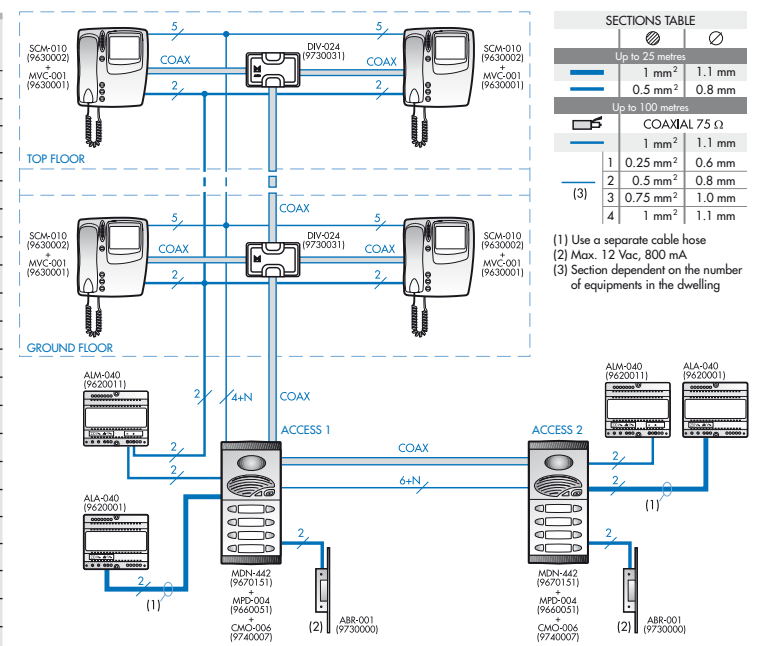
SAMPLE QUOTATION

2 POINTS OF ENTRY, COLOUR
(SINGLE ELECTRIC LOCK AND FLUSH-MOUNTED BOXES ARE INCLUDED)

N° OF DWELLINGS	1x3	2x3	2x4	2x5	2x6*	3x4	3x5	3x6	4x4	4x5	4x6	6x5	6x6
MODEL													
MVC-001	3	6	8	10	12	12	15	18	16	20	24	30	36
SCM-010	3	6	8	10	12	12	15	18	16	20	24	30	36
MDN-442	2	2	2	2	2								
MVN-302						2	2	2	2	2	2	2	2
MAN-441						2	2	2	2	2	2	2	2
MLN-000												2	2
MPS-003	2												
MPS-004						2							
MPS-005							2						
MPS-006								2					
MPD-003		2											
MPD-004			2			2			4				
MPD-005				2			2			4		6	
MPD-006					2			2			4		6
ALM-040	1	1	1	1	1	1	1	1	1	1	1	1	1
ALA-040	2	2	2	2	2	2	2	2	2	2	2	2	2
DIV-024	3	3	4	5	6	4	5	6	4	5	6	10	12
CEM-001						2	2	2	2	2	2	4	4
CMO-004							4		4				
CMO-006	2	2	2					4	4	4	4	6	6
CMO-008				2	2								
ABR-001	2	2	2	2	2	2	2	2	2	2	2	2	2

* Installation for 2 dwellings per floor and 6 floors

TYPICAL DIAGRAM AND SECTIONS



V I D E O D O O R E N T R Y S Y S T E M

VIDEO DOOR ENTRY SYSTEM, 6+N AND TWISTED PAIR, MICROPROCESSED, WITH ELECTRONIC CALL PRIVACY OF CONVERSATION, SIMPLE AND MULTIPLE ACCESS POINTS, B/W AND COLOUR



9630000

9630001



9600003

9600012



9630003

9670012
9670157



9670013
9670019

9670122
9670162



9670123
9670163

9670118



9670138

9670137



9670018

9670086



9620011
9620001

9670021



9730015

9730016

MONITORS

TYPE	CODE	DESCRIPTION	PACK
MVB-001	9630000	Analogic B/W video door entry monitor	10
MVC-001	9630001	4+N colour video monitor	10
SCM-020	9630003	Connection bracket for analogue monitor with connections for twisted pair	11

TELEPHONES

TYPE	CODE	DESCRIPTION	PACK
TES-001	9600003	Telephone with electronic call and privacy of conversation	10/60
TES-002	9600012	Telephone with 2 push buttons with electronic call and privacy of conversation	10/60

ENTRANCE PANEL MODULES WITH AUDIO UNIT, CAMERA AND CARD HOLDER OR BLANK

TYPE	CODE	DESCRIPTION	PACK
MVN-004	9670012	Entrance panel with B/W video unit for twisted pair	12
MVN-901	9670013	Compact panel with B/W video unit for twisted pair	9
MDN-444	9670122	Entrance panel with MAN-441 and generic B/W video unit for twisted pair.	9
MDT-444	9670123	Entrance panel with MAN-441 and generic B/W video unit for twisted pair. With card holder.	9
MVN-005	9670157	Entrance panel with colour video unit for twisted pair	12
MVN-904	9670019	Compact panel with colour video unit for twisted pair	9
MDN-445	9670162	Entrance panel with MAN-441 and generic colour video unit for twisted pair.	9
MDT-445	9670163	Entrance panel with MAN-441 and generic colour video unit for twisted pair. With card holder.	9
MAN-441	9670118	Entrance panel with 4+N audio group and with electronic call, privacy of conversation and multiple access points	9
MCN-441	9670138	Entrance panel with 4+N audio group and with electronic call, privacy of conversation and multiple	12
MMN-441	9670137	Entrance panel with 4+N audio group and with electronic call, privacy of conversation and multiple points of entry. With card-holder.	9
MTN-000	9670018	Entrance panel with card holder	12
MLN-000	9670021	Blank entrance panel	12
MLT-000	9670086	Entrance panel with card-holder and blank module	9

SPLITTERS AND TAP-OFFS

TYPE	CODE	DESCRIPTION	PACK
DIV-034	9730015	Video Tap-off for twisted pair. 4 tap outputs and DC path	18
DIV-134	9730016	Amplified video splitter for twisted pair. 4 outputs.	18

POWER SUPPLY UNITS

TYPE	CODE	DESCRIPTION	PACK
ALA-040	9620001	25 VA power supply unit, electronic door entry system	15
ALM-040	9620011	25 VA power supply unit, video door entry system	15

 Elements suitable for B/W system

 Elements suitable for colour system

VIDEO DOOR ENTRY SYSTEM

SAMPLE QUOTATION

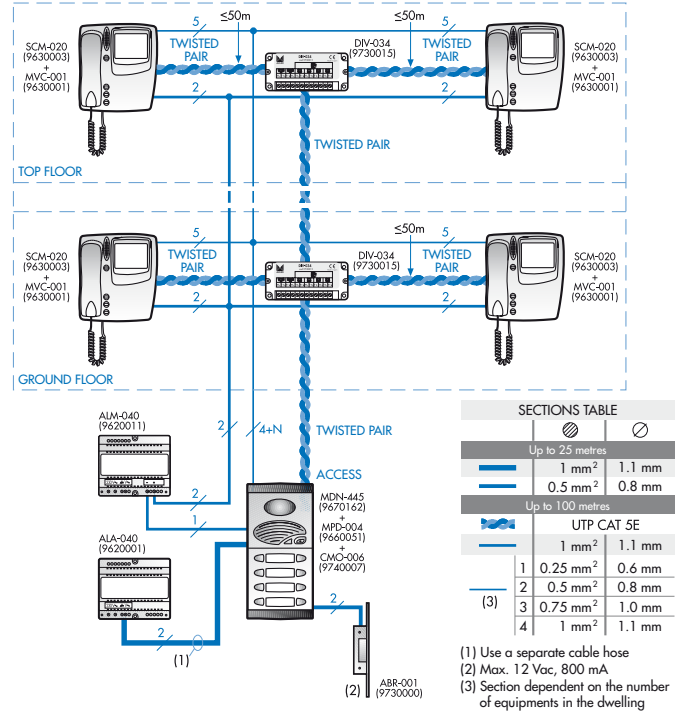
SINGLE POINT OF ENTRY, COLOUR

(SINGLE ELECTRIC LOCK AND FLUSH-MOUNTED BOXES ARE INCLUDED)

N° OF DWELLINGS	1x3	2x3	2x4	2x5	2x6*	3x4	3x5	3x6	4x4	4x5	4x6	6x5	6x6
MODEL													
MVC-001	3	6	8	10	12	12	15	18	16	20	24	30	36
SCM-020	3	6	8	10	12	12	15	18	16	20	24	30	36
MDN-445	1	1	1	1	1								
MVN-005						1	1	1	1	1	1	1	1
MAN-441						1	1	1	1	1	1	1	1
MLN-000												1	1
MPS-003	1												
MPS-004						1							
MPS-005							1						
MPS-006								1					
MPD-003		1											
MPD-004			1			1			2				
MPD-005				1		1				2		3	
MPD-006					1			1			2		3
ALM-040	1	1	1	1	1	1	1	1	1	1	1	1	1
ALA-040	1	1	1	1	1	1	1	1	1	1	1	1	1
DIV-034	3	3	4	5	6	4	5	6	4	5	6	10	12
CEM-001						1	1	1	1	1	1	2	2
CMO-004							2		2				
CMO-006	1	1	1					2	2	2	2	3	3
CMO-008				1	1								
ABR-001	1	1	1	1	1	1	1	1	1	1	1	1	1

* Installation for 2 dwellings per floor and 6 floors

TYPICAL DIAGRAM AND SECTIONS



SAMPLE QUOTATION

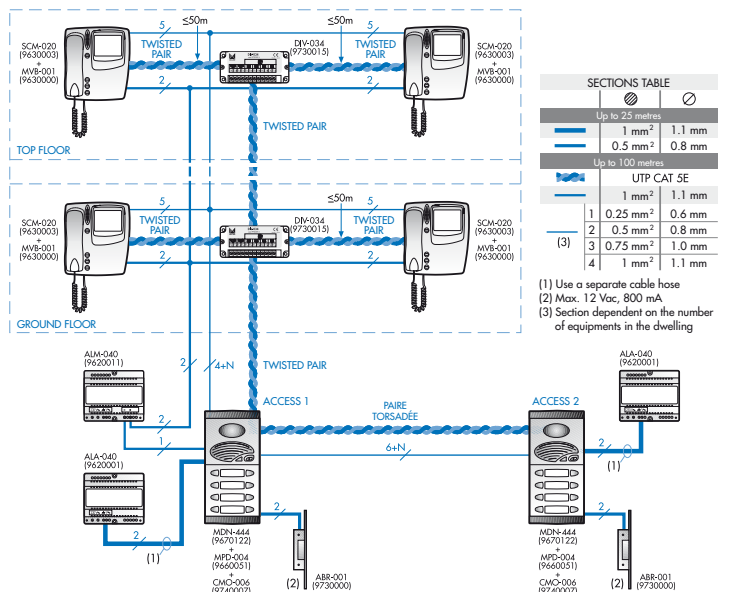
2 POINTS OF ENTRY

(SINGLE ELECTRIC LOCK AND FLUSH-MOUNTED BOXES ARE INCLUDED)

N° OF DWELLINGS	1x3	2x3	2x4	2x5	2x6*	3x4	3x5	3x6	4x4	4x5	4x6	6x5	6x6
MODEL													
MVB-001	3	6	8	10	12	12	15	18	16	20	24	30	36
SCM-020	3	6	8	10	12	12	15	18	16	20	24	30	36
MDN-444	2	2	2	2	2								
MVN-004						2	2	2	2	2	2	2	2
MAN-441						2	2	2	2	2	2	2	2
MLN-000												2	2
MPS-003	2												
MPS-004						2							
MPS-005							2						
MPS-006								2					
MPD-003		2											
MPD-004			2			2			4				
MPD-005				2			2			4		6	
MPD-006					2			1			4		6
ALM-040	2	2	2	2	2	2	2	2	2	2	2	2	2
ALA-040	2	2	2	2	2	2	2	2	2	2	2	2	2
DIV-034	3	3	4	5	6	4	5	6	4	5	6	10	12
CEM-001						2	2	2	2	2	2	4	4
CMO-004							4		4				
CMO-006	2	2	2					4	4	4	4	6	6
CMO-008				2	2								
ABR-001	2	2	2	2	2	2	2	2	2	2	2	2	2

* Installation for 2 dwellings per floor and 6 floors

TYPICAL DIAGRAM AND SECTIONS



VIDEO DOOR ENTRY SYSTEM, DIGITAL AND COAXIAL, MICROPROCESSED, WITH ELECTRONIC CALL AND PRIVACY OF CONVERSATION, SIMPLE AND MULTIPLE ACCESS POINTS, B/W AND COLOUR. CONCIERGE



9630006



9630008



9630004



9600007



9670009
9670045



9670106
9670107



9670121
9670154



9670120
9670153



9670146



9670145



9670144



9670018



9670086



9670021



9730030

MONITORS

TYPE	CODE	DESCRIPTION	PACK
MVB-002	9630006	Digital B/W video monitor	10
MVC-002	9630008	Digital colour video monitor	10
SCM-030	9630004	Connection bracket for digital monitor with connections	11

TELEPHONES

TYPE	CODE	DESCRIPTION	PACK
TED-001	9600007	Digital telephone with electronic call and privacy of conversation	10/60
TED-002	9600010	Digital telephone with electronic call and privacy of conversation, 2 push-buttons	10/60

ENTRANCE PANEL MODULES WITH AUDIO UNIT, CAMERA AND CARD HOLDER OR BLANK

TYPE	CODE	DESCRIPTION	PACK
MVN-301	9670009	Entrance panel with generic B/W video unit coaxial	12
MVN-903	9670106	Compact panel with generic B/W video unit	9
MDN-471	9670120	Entrance panel with MAN-470 and generic B/W video unit coaxial.	9
MDT-471	9670121	Entrance panel with MAN-470 and generic B/W video unit coaxial. With card holder.	9
MVN-302	9670045	Entrance panel with generic colour video unit coaxial	12
MVN-905	9670107	Compact panel with generic colour video unit	9
MDN-472	9670153	Entrance panel with MAN-470 and generic colour video unit coaxial	9
MDT-472	9670154	Entrance panel with MAN-470 and generic colour video unit coaxial. With card holder.	9
MAN-470	9670144	Entrance panel with digital audio group	12
MCN-470	9670146	Entrance panel with digital audio group. Blank module	9
MMN-470	9670145	Entrance panel with digital audio group. With card-holder	9
MTN-000	9670018	Entrance panel with card holder	12
MLN-000	9670021	Blank entrance panel	12
MLT-000	9670086	Entrance panel with card-holder and blank module	9
COL-000	9730030	Concentrator of 16 calls for digital electronic door entry systems	18
BAS-47321	9700123	Kit of 1 single pushbutton for direct call to concierge, with digital BUS 2-wire system	12
BVS-47321	9720135	Kit of 1 single pushbutton for direct call to concierge, with digital 4-wire system and coaxial	12



Elements suitable for B/W system

Elements suitable for colour system



9800002



9730031



9730032



9620001

9620011



9800037

9800038



9800039



9800012



9680016



9730056

ENTRANCE PANEL MODULES WITH KEYPAD

TYPE	CODE	DESCRIPTION	PACK
PDK-41300	9800034	Entrance panel with digital audio unit, generic B/W video unit for coaxial cable, numeric display and numeric keypad	7
PDK-41500	9800036	Entrance panel with digital audio unit, generic colour video unit for coaxial cable, numeric display and numeric keypad.	7
PTN-00000	9800002	Entrance panel with call code-house indicator directory	7
AIB-010	9730068	Estate identifying accessory (not equipped with concentrator of calls)	18
AIB-001	9730055	Accessory for digital installations with keypad in buildings with more than 150 dwellings.	18

SPLITTERS AND TAP-OFFS

TYPE	CODE	DESCRIPTION	PACK
DIV-024	9730031	Amplified video tap-off for coaxial cable with screw terminal. 4 outputs	5/75
DIV-124	9730032	Amplified video splitter for coaxial cable with screw terminal. 4 outputs	5/75

POWER SUPPLY UNITS

TYPE	CODE	DESCRIPTION	PACK
ALA-040	9620001	25 VA power supply unit, electronic door entry system	15
ALM-040	9620011	25 VA power supply unit, video door entry system	15
ALC-070	9620014	DC power supply, digital audio & video door entry system with keypad	9

CONCIERGE

TYPE	CODE	DESCRIPTION	PACK
PDK-42300	9800039	Entrance panel with digital audio unit, generic B/W video unit for coaxial cable, numeric display and numeric keypad for installations with concierge system.	7
PDK-44300	9800040	Entrance panel with digital audio unit, generic B/W video unit for coaxial cable, numeric display and numeric keypad for external entrance in installations with concierge system.	7
PDK-42500	9800041	Entrance panel with digital audio unit, generic colour video unit for coaxial cable, numerical display and numerical keypad in installations with concierge system.	7
PDK-44500	9800042	Entrance panel with digital audio unit, generic colour video unit for coaxial cable, numeric display and numeric keypad for external entrance in installations with concierge system.	7
PAK-03020	9800012	Concierge panel with digital audio unit, numeric display and numeric keypad.	7
SCC-030	9680016	Monitor connection bracket for digital concierge system with connections for coaxial cable.	11
MCB-002	9680014	Monitor for digital concierge system B/W.	10
SSC-002	9730056	Desktop support for digital concierge system with monitor.	4

For pushbutton entrance panel modules, accessories, cables, etc., see details on page 48.

 Elements suitable for B/W system

 Elements suitable for colour system

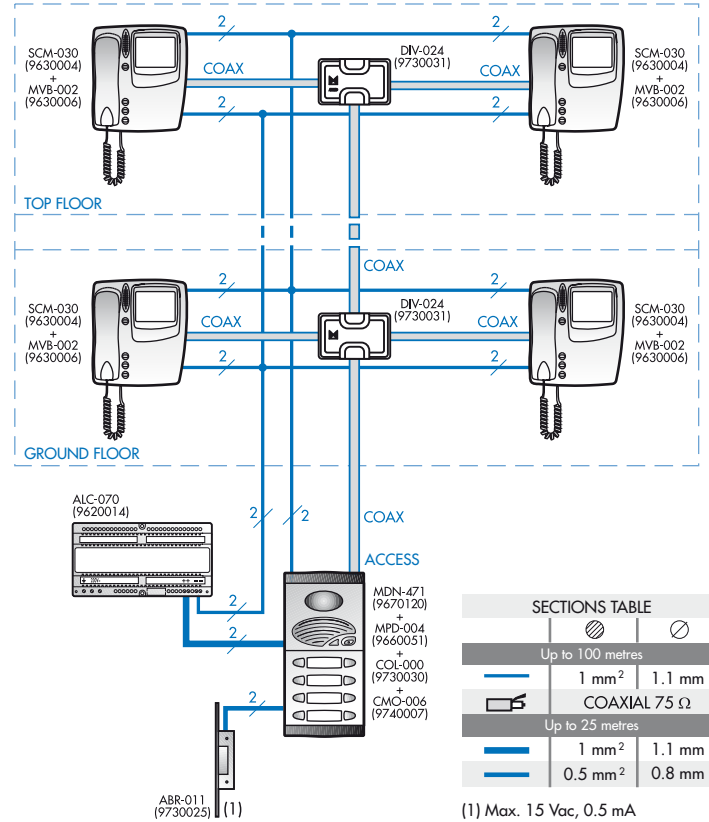
SAMPLE QUOTATION

SINGLE POINT OF ENTRY
(SINGLE ELECTRIC LOCK AND FLUSH-MOUNTED BOXES ARE INCLUDED)

N° OF DWELLINGS	1x3	2x3	2x4	2x5	2x6 *	3x4	3x5	3x6	4x4	4x5	4x6	6x5	6x6
MODEL													
MVB-002	3	6	8	10	12	12	15	18	16	20	24	30	36
SCM-030	3	6	8	10	12	12	15	18	16	20	24	30	36
MDN-471	1	1	1	1	1								
MVN-301						1	1	1	1	1	1	1	1
MAN-470						1	1	1	1	1	1	1	1
MLN-000												1	1
MPS-003	1											1	1
MPS-004						1							
MPS-005							1						
MPS-006								1					
MPD-003	1								2				
MPD-004		1				1				2			
MPD-005			1				1				2	3	
MPD-006					1			1				2	3
ALC-070	1	1	1	1	1	1	1	1	1	1	1	1	1
COL-000	1	1	1	1	1	1	1	2	2	2	2	2	3
DIV-024	3	3	4	5	6	4	5	6	4	5	6	10	12
CEM-001						1	1	1	1	1	1	2	2
CMO-004						2		2					
CMO-006	1	1	1				2	2		2	2	3	3
CMO-008				1	1								
ABR-011	1	1	1	1	1	1	1	1	1	1	1	1	1

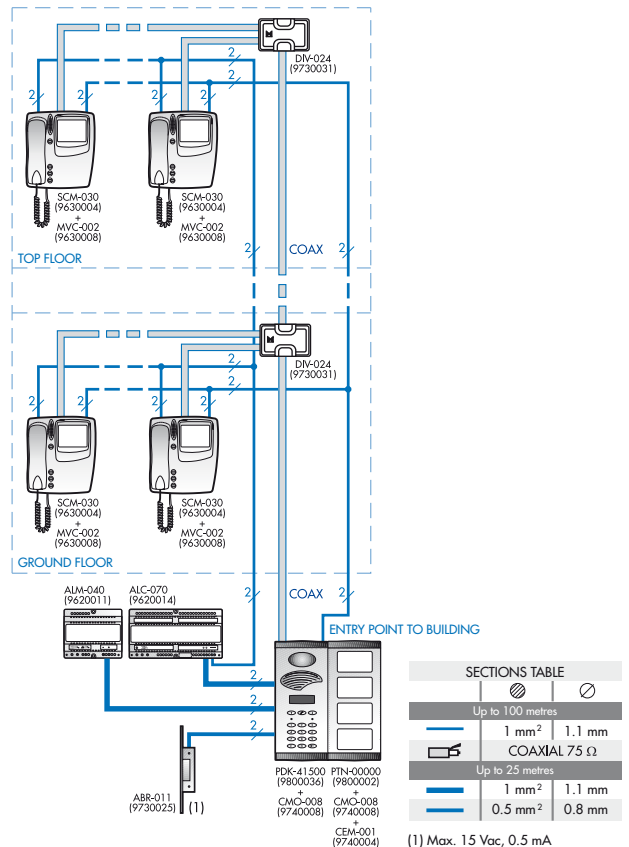
* Installation for 2 dwellings per floor and 6 floors

TYPICAL DIAGRAM AND SECTIONS



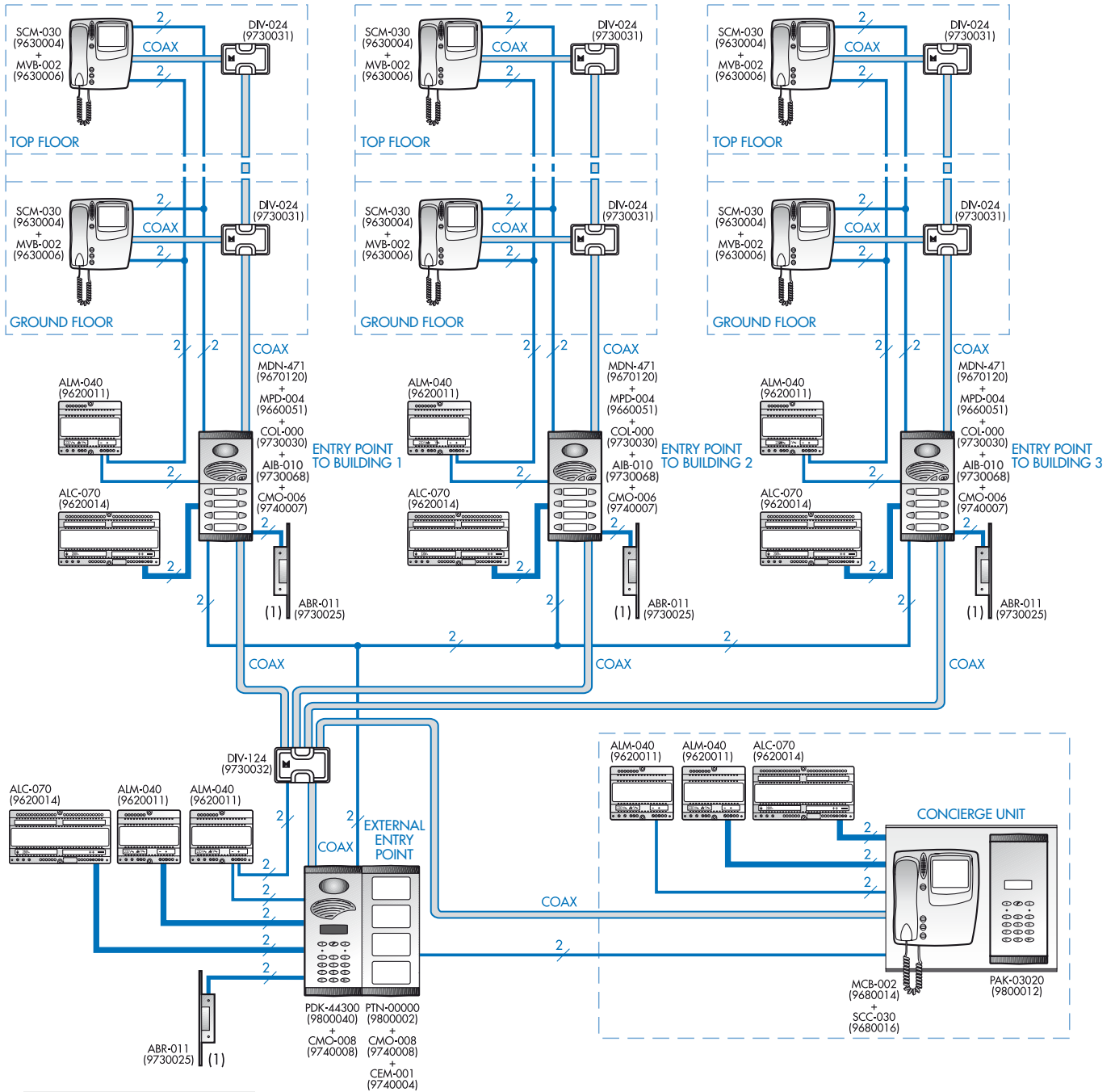
SINGLE POINT OF ENTRY
(ENTRANCE PANELS WITH KEYPAD) (COLOUR)
(SINGLE ELECTRIC LOCK AND FLUSH-MOUNTED BOXES ARE INCLUDED)

N° OF DWELLINGS	4x10	6x10	6x15	8x15	10x15
MODEL					
MVC-002	40	60	90	120	150
SCM-030	40	60	90	120	150
PDK-41500	1	1	1	1	1
PTN-00000	1	1	1	2	2
ALM-040	1	1	1	1	1
ALC-070	1	1	1	1	1
DIV-024	10	20	30	30	45
CEM-001	1	1	1	2	2
CMO-008	2	2	2	3	3
ABR-011	1	1	1	1	1



O R E N T R Y S Y S T E M

HOUSING COMPLEX: SAMPLE DIAGRAM AND SECTIONS



SECTIONS TABLE

Symbol	Material	Dimensions
	Up to 100 metres	1 mm ² 1.1 mm
	COAXIAL 75 Ω	
	Up to 25 metres	1 mm ² 1.1 mm
		0.5 mm ² 0.8 mm

(1) Max. 15 Vac, 0.5 mA

VIDEO DOOR ENTRY SYSTEM, DIGITAL AND TWISTED PAIR, MICROPROCESSED, WITH ELECTRONIC CALL, PRIVACY OF CONVERSATION, SIMPLE AND MULTIPLE ACCESS POINTS, B/W AND COLOUR. CONCIERGE



9630006



9630008



9630005



9600007



9670012
9670157



9670013
9670019



9670148
9670056



9670147
9670046



9670018



9670021



9670086



9670144



9670146



9670145



9730030

MONITORS

TYPE	CODE	DESCRIPTION	PACK
MVB-002	9630006	Digital B/W video monitor	10
MVC-002	9630008	Digital colour video monitor	10
SCM-040	9630005	Connection bracket for digital monitor with connections for twisted pair	11

TELEPHONES

TYPE	CODE	DESCRIPTION	PACK
TED-001	9600007	Digital telephone with electronic call and privacy of conversation	10/60
TED-002	9600010	Digital telephone with electronic call and privacy of conversation, 2 push-buttons	10/60

ENTRANCE PANEL MODULES WITH AUDIO UNIT, CAMERA AND CARD HOLDER OR BLANK

TYPE	CODE	DESCRIPTION	PACK
MVN-004	9670012	Entrance panel with B/W video unit for twisted pair	12
MVN-901	9670013	Compact panel with B/W video unit for twisted pair	9
MDN-474	9670147	Entrance panel with MAN-470 and generic B/W video unit for twisted pair	9
MDT-474	9670148	Entrance panel with MAN-470 and generic B/W video unit for twisted pair. With card holder.	9
MVN-005	9670157	Entrance panel with colour video unit for twisted pair	12
MVN-905	9670107	Compact panel with generic colour video unit	9
MDN-475	9670046	Entrance panel with MAN-470 and generic colour video unit for twisted pair.	9
MDT-475	9670056	Entrance panel with MAN-470 and generic colour video unit for twisted pair. With card holder.	9
MTN-000	9670018	Entrance panel with card holder	12
MLN-000	9670021	Blank entrance panel	12
MLT-000	9670086	Entrance panel with card-holder and blank module	9
MAN-470	9670144	Entrance panel with digital audio group	12
MCN-470	9670146	Entrance panel with digital audio group. Blank module	9
MMN-470	9670145	Entrance panel with digital audio group. With card-holder	9
COL-000	9730030	Concentrator of 16 calls for digital electronic door entry systems	18

 Elements suitable for B/W system

 Elements suitable for colour system

O R E N T R Y S Y S T E M



9800035 9800049 9800002



9730068 9730055



9730015 9730016



9620001 9620014
9620011



9680017



9730056

ENTRANCE PANEL MODULES WITH KEYPAD

TYPE	CODE	DESCRIPTION	PACK
PDK-41400	9800035	Entrance panel with digital audio unit, generic B/W video unit for twisted pair, numerical display and numerical keypad	7
PDK-41600	9800049	Entrance panel with digital audio unit, colour video unit for twisted pair, numerical display and numerical keypad for calling the houses or flats	7
PTN-00000	9800002	Entrance panel with call code-house indicator directory	7
PDK-61400	9800075	Vandal resistant entrance panel with digital audio unit, generic B/W video unit for twisted pair, numerical displays and numerical keypad	5
PTN-60000	9800073	Vandal resistant entrance panel with call code-house indicator directory	5
AIB-010	9730068	Estate identifying accessory (not equipped with concentrator of calls)	18

SPLITTERS AND TAP-OFFS

TYPE	CODE	DESCRIPTION	PACK
DIV-034	9730015	Video Tap-off for twisted pair. 4 tap outputs and DC path	18
DIV-134	9730016	Amplified video splitter for twisted pair. 4 outputs.	18

POWER SUPPLY UNITS

TYPE	CODE	DESCRIPTION	PACK
ALA-040	9620001	25 VA power supply unit, electronic door entry system	15
ALM-040	9620011	25 VA power supply unit, video door entry system	15
ALC-070	9620014	DC power supply, digital audio & video door entry system with keypad	9

CONCIERGE

TYPE	CODE	DESCRIPTION	PACK
MCB-002	9680014	Monitor for concierge system B/W.	10
PDK-42400	9800043	Entrance panel with digital audio unit, B/W video unit for twisted pair, numeric display and keypad for installations with concierge system.	7
PDK-44400	9800044	Entrance panel with digital audio unit, B/W video unit for twisted pair, numeric display and numeric keypad for installations with concierge system.	7
MCC-002	9680015	Color video door entry monitor for concierge system.	10
PDK-42600	9800046	Entrance panel with digital audio unit, colour video unit for twisted pair, numeric display and numeric keypad for installations with concierge system.	7
PDK-44600	9800048	Entrance panel with digital audio unit, colour video unit for twisted pair, numeric display and numeric keypad for external entrance in installations with concierge system.	7
SCC-040	9680017	Monitor connection bracket for digital concierge system with connections for twisted pair.	11
SSC-002	9730056	Desktop support for digital concierge system with monitor.	4
PAK-03020	9800012	Concierge panel with digital audio unit, numeric display and numeric keypad.	7

For pushbutton entrance panel modules, accessories, cables, etc., see details on page 48.

 Elements suitable for B/W system

 Elements suitable for colour system

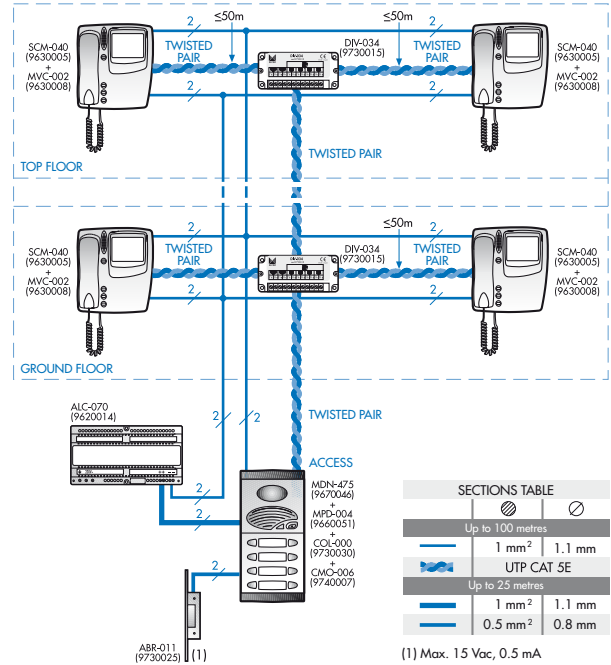
SAMPLE QUOTATION

SINGLE POINT OF ENTRY, COLOUR
(SINGLE ELECTRIC LOCK AND FLUSH-MOUNTED BOXES ARE INCLUDED)

N° OF DWELLINGS	1x3	2x3	2x4	2x5	2x6	3x4	3x5	3x6	4x4	4x5	4x6	6x5	6x6
MODEL													
MVC-001	3	6	8	10	12	12	15	18	16	20	24	30	36
SCM-040	3	6	8	10	12	12	15	18	16	20	24	30	36
MDN-475	1	1	1	1	1								
MVN-005						1	1	1	1	1	1	1	1
MAN-470						1	1	1	1	1	1	1	1
MLN-000												1	1
MPS-003	1												
MPS-004						1							
MPS-005							1						
MPS-006								1					
MPD-003		1											
MPD-004			1			1			2				
MPD-005				1			1			2		3	
MPD-006					1			1			2		3
ALC-070	1	1	1	1	1	1	1	1	1	1	1	1	1
COL-000	1	1	1	1	1	1	1	2	1	2	2	2	3
DIV-034	3	3	4	5	6	4	5	6	4	5	6	10	12
CEM-001						1	1	1	1	1	1	2	2
CMO-004						2			2				
CMO-006	1	1	1							2	2	3	3
CMO-008				1	1								
ABR-011	1	1	1	1	1	1	1	1	1	1	1	1	1

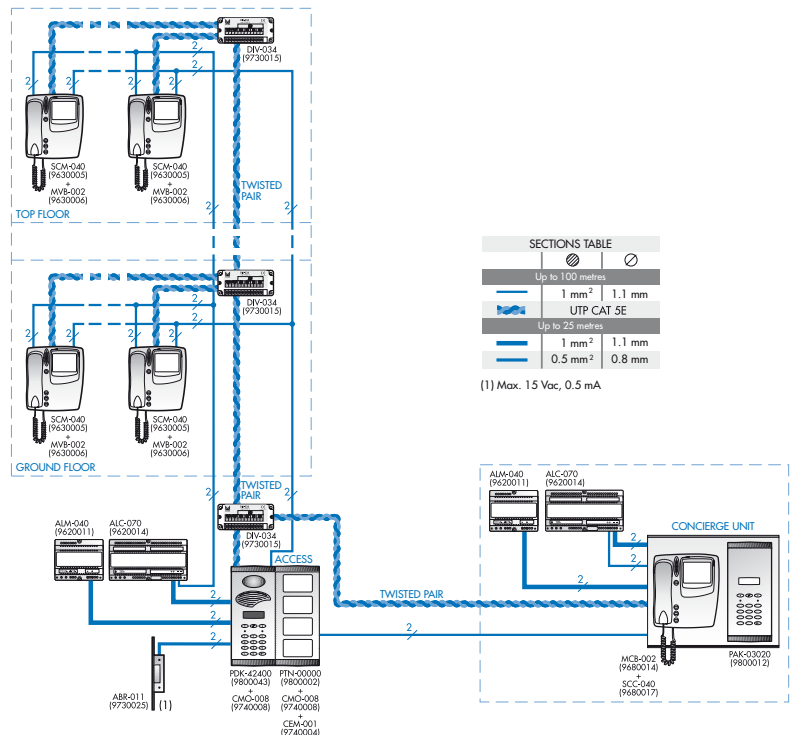
* Installation for 2 dwellings per floor and 6 floors

TYPICAL DIAGRAM AND SECTIONS



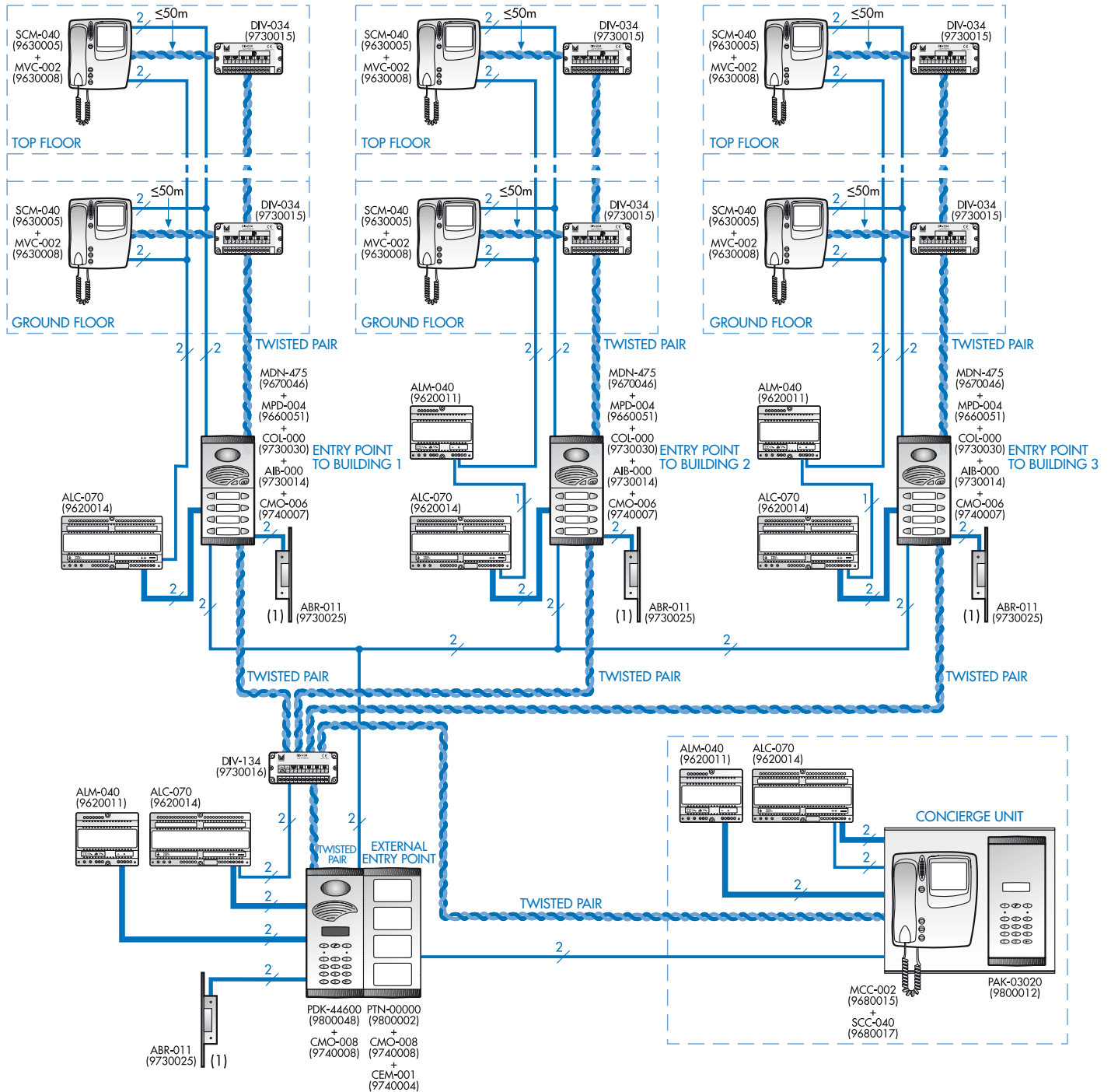
SINGLE POINT OF ENTRY (ENTRANCE PANELS WITH KEYPAD) WITH CONCIERGE
(SINGLE ELECTRIC LOCK AND FLUSH-MOUNTED BOXES ARE INCLUDED)

N° OF DWELLINGS	4x10	6x10	6x15	8x15	10x15
MODEL					
MVB-002	40	60	90	120	150
SCM-040	40	60	90	120	150
MCB-002	1	1	1	1	1
SCC-040	1	1	1	1	1
PDK-42400	1	1	1	1	1
PTN-00000	1	1	1	2	2
PAK-03020	1	1	1	1	1
ALM-040	2	2	2	2	2
ALC-070	2	2	2	2	2
DIV-034	10	20	30	30	45
CEM-001	1	1	1	2	2
CMO-008	2	2	2	3	3
ABR-011	1	1	1	1	1



O R E N T R Y S Y S T E M

EXAMPLE WIRING DIAGRAM FOR HOUSING STATE. COLOUR.



SECTIONS TABLE		
Up to 100 metres		
	1 mm ²	1.1 mm
	UTP CAT 5E	
Up to 25 metres		
	1 mm ²	1.1 mm
	0.5 mm ²	0.8 mm

(1) Max. 15 Vac, 0.5 mA



C O M P L E M E N T A R Y S Y S T E M S
A N D A C C E S S O R I E S



T V D O O R E N T R Y S Y S T E M

ALCAD's TV Door Entry System is designed to complement existing electronic door entry systems in buildings and flats. The TV Door Entry System, tapping into the distribution of the collective signal of the building and using the video cameras installed at the different points of entry, allows you to visualise the person who is calling clearly and distinctly by simply changing your television channel. Without having to move from your television set, you will know who is at your door and whether or not the call is worth getting up to answer.



9650007
9650009

MODULATORS

TYPE	CODE	DESCRIPTION	PACK
MDA-300	9650007	Multistandard BIII modulator with DC output to supply a video unit with external power supply	12
MDA-400	9650009	Multistandard UHF modulator with DC output to supply a video unit with external power supply	12

ENTRANCE PANEL MODULES WITH AUDIO UNIT, CAMERA AND CARD HOLDER OR BLANK

TYPE	CODE	DESCRIPTION	PACK
MVN-902	9600007	Compact panel with B/W video unit for coaxial cable. External power supply	10/60
MVN-201	9670101	Entrance panel with B/W video unit for coaxial cable. External power supply	10/60
MDN-443	9670140	Entrance panel with B/W video unit for coaxial cable. External power supply	
MDT-443	9670141	Entrance panel with MAN-441 and B/W video unit for coaxial cable. External power supply. With card holder.	
MDN-473	9670149	Entrance panel with MAN-470 and B/W video unit with external power supply for coaxial cable.	
MDT-473	9670150	Entrance panel with MAN-470 and B/W video unit with external power supply for coaxial cable. With card holder	



9670100



9670101



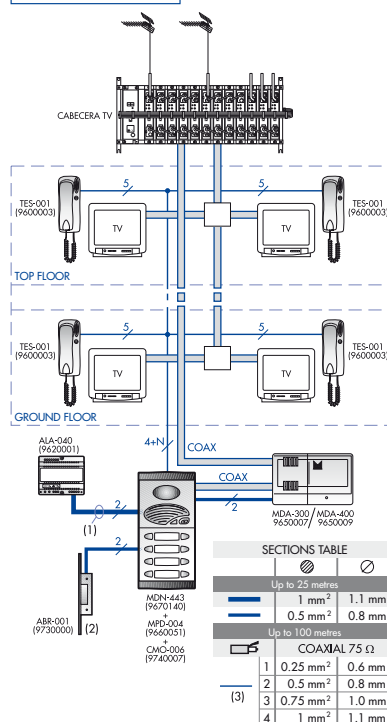
9670140
9670149



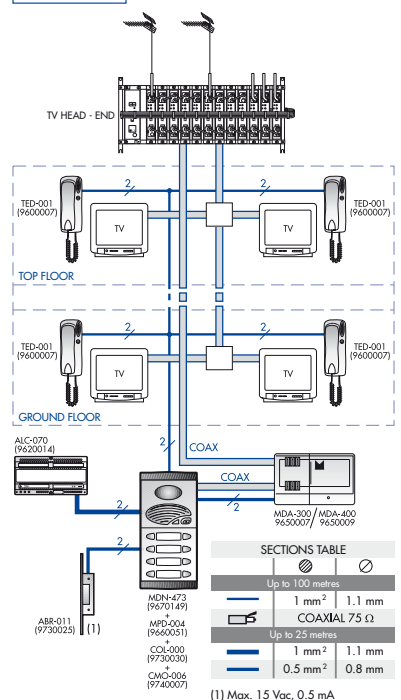
9670141
9670150

TYPICAL DIAGRAM AND SECTIONS

CONVENTIONAL SYSTEM



DIGITAL SYSTEM



INTERFACE PC



The PC Video Door Entry System, based on an interface between entrance panel and a personal computer, makes it possible for users to receive and manage calls made from the entrance panel via their computer, enabling them to see the caller on their computer screen without having to have a video door entry monitor. The system allows users to answer calls from their computer, open the door, and keep a record of the last 500 calls received, memorizing the caller's image as well as the time of the call. Highly recommended for places where space is limited, such as offices, hotels, etc., where the computer is already part of the basic furnishings and can therefore replace a video monitor to keep track of visits received.



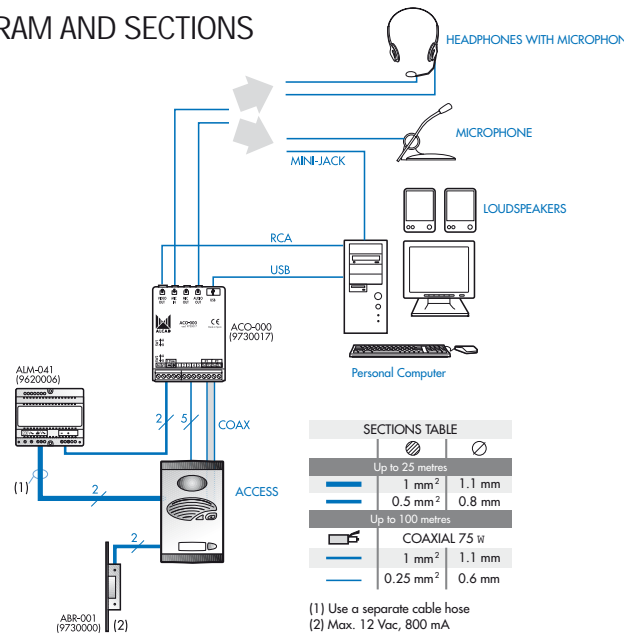
9730017



INTERFACE PC

TYPE	CODE	DESCRIPTION	PACK
ACO-000	9730017	Accessory allowing to drive the analogue video door entry, 6+N and coaxial system, from a PC	10
KOS-44201	9720046	Kit to drive the analogue video door entry from PC. 1 single push-button. 6+N and coaxial call system. Color video unit	10

TYPICAL DIAGRAM AND SECTIONS



ACCESS CONTROL SYSTEMS



9800006



9660016

ACCESS CONTROL SYSTEMS

TYPE	CODE	DESCRIPTION	PACK
MKD-900	9660016*	Configurable push-button entrance panel 1-4 storeys and keypad for access control	9
PNK-00000	9800006	Entrance panel with keypad for access control	7

* Ask your dealer for order forms.

ENTRANCE PANEL MODULES WITH PUSHBUTTONS

- Entrance panel modules with pushbuttons, quality design, fully compatible with all entrance panel modules with audio unit, card holder or blank.
- Manufactured with a extruded aluminium profile.
- Folds out for easy connections.
- Panels can be combined laterally.



MODULES WITH SINGLE PUSHBUTTONS

TYPE	CODE	DESCRIPTION	PACK
MPS-001	9660014	Entrance panel with 1 single push-button	12
MPS-002	9660015	Entrance panel with 2 single push-buttons	12
MPS-003	9660000	Entrance panel with 3 single push-buttons	9
MPS-004	9660001	Entrance panel with 4 single push-buttons	9
MPS-005	9660002	Entrance panel with 5 single push-buttons	9
MPS-006	9660003	Entrance panel with 6 single push-buttons	9
MPS-007	9660004	Entrance panel with 7 single push-buttons	9
MPS-008	9660005	Entrance panel with 8 single push-buttons	9
MPS-009	9660006	Entrance panel with 9 single push-buttons	13
MPS-010	9660007	Entrance panel with 10 single push-buttons	13
MPS-011	9660008	Entrance panel with 11 single push-buttons	13
MPS-012	9660009	Entrance panel with 12 single push-buttons	13
MPS-013	9660010	Entrance panel with 13 single push-buttons	13
MPS-014	9660011	Entrance panel with 14 single push-buttons	13
MPS-015	9660012	Entrance panel with 15 single push-buttons	10
MPS-016	9660013	Entrance panel with 16 single push-buttons	10

ENTRANCE PANELS WITH DOUBLE PUSH-BUTTONS



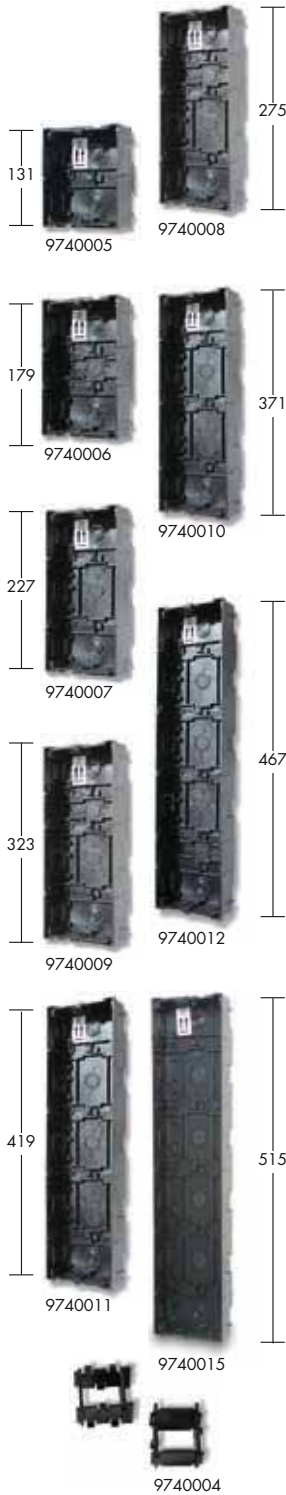
TYPE	CODE	DESCRIPTION	PACK
MPD-001	9660048	Entrance panel with 1 double push-button	12
MPD-002	9660049	Entrance panel with 2 double push-buttons	12
MPD-003	9660050	Entrance panel with 3 double push-buttons	9
MPD-004	9660051	Entrance panel with 4 double push-buttons	9
MPD-005	9660052	Entrance panel with 5 double push-buttons	9
MPD-006	9660053	Entrance panel with 6 double push-buttons	9
MPD-007	9660054	Entrance panel with 7 double push-buttons	9
MPD-008	9660055	Entrance panel with 8 double push-buttons	9
MPD-009	9660056	Entrance panel with 9 double push-buttons	13
MPD-010	9660057	Entrance panel with 10 double push-buttons	13
MPD-011	9660058	Entrance panel with 11 double push-buttons	13
MPD-012	9660059	Entrance panel with 12 double push-buttons	13
MPD-013	9660060	Entrance panel with 13 double push-buttons	13
MPD-014	9660061	Entrance panel with 14 double push-buttons	13
MPD-015	9660062	Entrance panel with 15 double push-buttons	10
MPD-016	9660063	Entrance panel with 16 double push-buttons	10
MPD-900	9660064	Configurable push-button entrance panel 1-8 rows	9
MPD-901	9660065	Configurable push-button entrance panel 9-16 rows	10

ACCESSORIES FOR ENTRANCE PANELS

- For help in choosing the right flush-mounted box (or any other entrance panel accessory), see the section entitled "ENTRANCE PANELS: Dimensions and Accessories" starting on page 56.

FLUSH-MOUNTED BOXES

- With support axles to facilitate connection of the entrance panel.
- Manufactured from high density polystyrene plastic.



TYPE	CODE	DESCRIPTION	PACK
CMO-002	9740005	Flush-mounted box for 1 or 2 rows	16
CMO-004	9740006	Flush-mounted box for 3 or 4 rows	12
CMO-006	9740007	Flush-mounted box for 5 or 6 rows	16
CMO-008	9740008	Flush-mounted box for 7 or 8 rows	15
CMO-010	9740009	Flush-mounted box for 9 or 10 rows	12
CMO-012	9740010	Flush-mounted box for 11 or 12 rows	12
CMO-014	9740011	Flush-mounted box for 13 or 14 rows	12
CMO-016	9740012	Flush-mounted box for 15 or 16 rows	12
CMO-018	9740015	Flush-mounted box for 15 or 16 rows plus double upper module	20
CEM-001	9740004	Set of separators for flush-mounted box (2 items)	50

SINGLE SURFACE BOXES



9740102

TYPE	CODE	DESCRIPTION	PACK
CSU-211	9740100	Single surface box for 1 or 2 rows	18
CSU-212	9740101	Single surface box for 3 or 4 rows	9
CSU-213	9740102	Single surface box for 5 or 6 rows	9
CSU-214	9740103	Single surface box for 7 or 8 rows	8
CSU-215	9740104	Single surface box for 9 or 10 rows	11
CSU-216	9740105	Single surface box for 11 or 12 rows	11
CSU-217	9740106	Single surface box for 13 or 14 rows	11
CSU-218	9740107	Single surface box for 15 or 16 rows	18
CSU-219	9740108	Single surface box for 15 or 16 rows plus double upper module	18
CSU-000	9740172	Set of separators for surface box (2 items)	1/100



9740107

ANGULAR SINGLE SURFACE BOXES

TYPE	CODE	DESCRIPTION	PACK
CSU-311	9740163	Angular single surface box for 1 or 2 rows	6
CSU-312	9740164	Angular single surface box for 3 or 4 rows	12
CSU-313	9740165	Angular single surface box for 5 or 6 rows	9
CSU-314	9740166	Angular single surface box for 7 or 8 rows	9
CSU-315	9740167	Angular single surface box for 9 or 10 rows	6
CSU-316	9740168	Angular single surface box for 11 or 12 rows	6
CSU-317	9740169	Angular single surface box for 13 or 14 rows	6
CSU-318	9740170	Angular single surface box for 15 or 16 rows	12
CSU-319	9740171	Angular single surface box for 15 or 16 rows plus double upper module	12



9740163

RAIN SHIELDS FOR FLUSH-MOUNTED BOXES

SINGLE RAIN SHIELDS

- Choice of rain shield depends on the flush-mounted box being used in the installation.



9740109



9740119



9740122



9740128



9740133

TYPE	CODE	DESCRIPTION	PACK
VIS-111	9740109	Single rain-shield for 1-2 rows	6
VIS-112	9740110	Single rain-shield for 3-4 rows	5
VIS-113	9740111	Single rain-shield for 5-6 rows	4
VIS-114	9740112	Single rain-shield for 7-8 rows	5
VIS-115	9740113	Single rain-shield for 9-10 rows	5
VIS-116	9740114	Single rain-shield for 11-12 rows	5
VIS-117	9740115	Single rain-shield for 13-14 rows	9
VIS-118	9740116	Single rain-shield for 15-16 rows	9
VIS-119	9740117	Single rain-shield for 15 or 16 rows plus double upper module	9

DOUBLE RAIN SHIELDS

- Choice depends on the number of rows of pushbuttons on the entrance panel module with pushbuttons and on the entrance panel module with audio group, camera, and cardholder or blank.

TYPE	CODE	DESCRIPTION	PACK
VIS-121	9740118	Double rain-shield for 1-2 rows	4
VIS-122	9740119	Double rain-shield for 3-4 rows	6
VIS-123	9740120	Double rain-shield for 5-6 rows	12
VIS-124	9740121	Double rain-shield for 7-8 rows	8
VIS-125	9740122	Double rain-shield for 9-10 rows	8
VIS-126	9740123	Double rain-shield for 11-12 rows	8
VIS-127	9740124	Double rain-shield for 13-14 rows	4
VIS-128	9740125	Double rain-shield for 15-16 rows	4
VIS-129	9740126	Double rain-shield for 15 or 16 rows plus double upper module	4

TRIPLE RAIN SHIELDS

- Choice depends on the number of rows of pushbuttons on the entrance panel module with pushbuttons and on the entrance panel module with audio group, camera, and cardholder or blank.

TYPE	CODE	DESCRIPTION	PACK
VIS-131	9740127	Triple rain-shield for 1-2 rows	5
VIS-132	9740128	Triple rain-shield for 3-4 rows	3
VIS-133	9740129	Triple rain-shield for 5-6 rows	3
VIS-134	9740130	Triple rain-shield for 7-8 rows	4
VIS-135	9740131	Triple rain-shield for 9-10 rows	4
VIS-136	9740132	Triple rain-shield for 11-12 rows	4
VIS-137	9740133	Triple rain-shield for 13-14 rows	4
VIS-138	9740134	Triple rain-shield for 15-16 rows	4
VIS-139	9740135	Triple rain-shield for 15 or 16 rows plus double upper module	4

RAIN SHIELDS FOR SURFACE BOXES

SINGLE RAIN SHIELDS

- Choice of rain shield depends on the surface wall-mounted box being used in the installation.



9740138



9740143



9740146



9740155

TYPE	CODE	DESCRIPTION	PACK
VIS-111	9740136	Single rain-shield for surface box for 1-2 rows	6
VIS-112	9740137	Single rain-shield for surface box for 3-4 rows	5
VIS-113	9740138	Single rain-shield for surface box for 5-6 rows	4
VIS-114	9740139	Single rain-shield for surface box for 7-8 rows	5
VIS-115	9740140	Single rain-shield for surface box for 9-10 rows	5
VIS-116	9740141	Single rain-shield for surface box for 11-12 rows	5
VIS-117	9740142	Single rain-shield for surface box for 13-14 rows	9
VIS-118	9740143	Single rain-shield for surface box for 15-16 rows	9
VIS-119	9740144	Single rain-shield for surface box for 15 or 16 rows plus double upper module	9

DOUBLE RAIN SHIELDS

- Choice depends on the number of rows of pushbuttons on the entrance panel module with pushbuttons and on the entrance panel module with audio group, camera, and cardholder or blank.

TYPE	CODE	DESCRIPTION	PACK
VIS-221	9740145	Double rain-shield for surface box for 1-2 rows	3
VIS-222	9740146	Double rain-shield for surface box for 3-4 rows	4
VIS-223	9740147	Double rain-shield for surface box for 5-6 rows	2
VIS-224	9740148	Double rain-shield for surface box for 7-8 rows	2
VIS-225	9740149	Double rain-shield for surface box for 9-10 rows	6
VIS-226	9740150	Double rain-shield for surface box 11-12 rows	6
VIS-227	9740151	Double rain-shield for surface box 13-14 rows	3
VIS-228	9740152	Double rain-shield for surface box 15-16 rows	3
VIS-229	9740153	Double rain-shield for surface box 15 or 16 rows plus double upper module	3

TRIPLE RAIN SHIELDS

- Choice depends on the number of rows of pushbuttons on the entrance panel module with pushbuttons and on the entrance panel module with audio group, camera, and cardholder or blank.

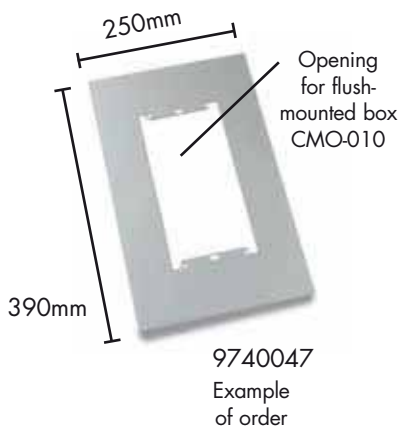
TYPE	CODE	DESCRIPTION	PACK
VIS-231	9740154	Triple rain-shield for surface box for 1-2 rows	3
VIS-232	9740155	Triple rain-shield for surface box for 3-4 rows	3
VIS-233	9740156	Triple rain-shield for surface box for 5-6 rows	2
VIS-234	9740157	Triple rain-shield for surface box for 7-8 rows	2
VIS-235	9740158	Triple rain-shield for surface box for 9-10 rows	3
VIS-236	9740159	Triple rain-shield for surface box for 11-12 rows	3
VIS-237	9740160	Triple rain-shield for surface box for 13-14 rows	3
VIS-238	9740161	Triple rain-shield for surface box for 15-16 rows	3
VIS-239	9740162	Triple rain-shield for surface box for 15 or 16 rows plus double upper module	3



9740014



9740001



9740047
Example of order



9620013



9730013



9730005



9730006



9730023



9730024



9730004

DECORATIVE FITTINGS FOR ENTRANCE PANELS

TYPE	CODE	DESCRIPTION	PACK
TOP-100	9740001	Customised decorative fittings	100

DECORATIVE FRAMES FOR ENTRANCE PANELS

- Manufactured from anodised aluminium.
- Made to measure. For example: (see illustration on left) MAR-900 (010, 250, 390): Decorative frame for double panel, for CMO-010 flush-mounted box with external width of 250mm and external height of 390mm.

TYPE	CODE	DESCRIPTION	PACK
MAR-900	9740047*	Decorative frame for single panel *	1
MAR-901	9740016*	Decorative frame for double panel *	1
MAR-902	9740017*	Decorative frame for triple panel *	1

* Ask your dealer for order forms.

ACCESSORIES

ELECTRONIC ACCESSORIES

TYPE	CODE	DESCRIPTION	PACK
ALM-080	9620013	Power supply to release electric locks with high power consumption	9
AAL-001	9730005	Accessory that allows to use entrance panel modules with 4+N audio unit and electronic call in installations with buzzer call telephones	18
APC-001	9730006	Accessory that allows to activate a single electric lock from several entrance panels with independent power supply	18
ASE-002	9730067	Accessory which is used to activate an AC electric lock in installations with a DC electric lock signal	30
AAL-120	9730018	Accessory required for the use of the electronic call extension or any other device which can be activated by means of an electronic call in installations with digital telephones.	18
AAL-200	9730019	Electronic call extension. To be used with telephones and monitors in both conventional and digital systems. With digital telephones, the use of an accessory (namely, AAL-120) is required.	18
AAL-210	9730020	Call extension with buzzer	18
ASC-050	9730021	Selector switch accessory activated by means of electronic call, buzzer call or external signal. Application: activation by the call, auxiliary pushbutton, etc. of devices connected to the mains (lights, sirens, etc.)	18
ASC-001	9730023	Switch selector accessory activated by means of external control signal. Applications: seeing images from a second camera, activating a second electric lock by means of an auxiliary button, etc	18
ASC-051	9730057	Selector / witch accessory with timer activated by means of external control signal. Applications: activation of devices connected to the mains (lights, sirens), second electric lock	18
AAV-001	9730024	Accessory to adapt the video signal	18
HST-001	9730066	Equipment for checking the camera or monitor of the video door entry system. Coaxial cable.	16

ELECTRONIC LOCKS

TYPE	CODE	DESCRIPTION	PACK
CNP-001	9730004	Door contact	50
ESC-010	9730033	Large shield for electric locks	10

AC ELECTRONIC LOCKS

TYPE	CODE	DESCRIPTION	PACK
ABR-001	9730000	Standard electric lock. 12 VAC.	50
ABR-002	9730001	Standard electric lock with manual release. 12 VAC.	50
ABR-003	9730002	Automatic electric lock (activated by electrical impulse). 12 VAC.	50
ABR-004	9730003	Automatic electric lock (activated by electrical impulse) with manual release. 12 VAC.	50

DC ELECTRONIC LOCKS

TYPE	CODE	DESCRIPTION	PACK
ABR-015	9730062	Standard electric lock. 15 VDC.	50
ABR-011	9730025	Standard electric lock, compact size, with adjustable bolt. 15 VDC.	50
ABR-016	9730063	Standard electric lock with manual release. 15 VDC.	50
ABR-012	9730026	Standard electric lock, compact size, with manual release and adjustable bolt. 15 VDC.	50
ABR-017	9730064	Automatic electric lock (activated by electrical impulse). 15 VDC.	50
ABR-013	9730007	Automatic electric lock (activated by electrical impulse), compact size, with adjustable bolt. 15 VDC.	50
ABR-014	9730008	Automatic electric lock (activated by electrical impulse), compact size, with manual release and adjustable bolt. 15 VDC.	50

ACCESSORIES FOR TELEPHONES

TYPE	CODE	DESCRIPTION	PACK
SST-001	9730029	Desktop support for telephone	8
APX-001	9730060	Kit which lets you add two extra push-buttons to the telephone.	8
AAL-130	9730061	Accessory for receiving calls on a landing telephone.	18

ACCESSORIES FOR MONITORS

TYPE	CODE	DESCRIPTION	PACK
SSM-001	9730049	Desktop support for monitor (does not include the connection bracket for monitor)	8
MAE-001	9730035	Cover frame for monitor. Dimensions: 250x275 mm	10
MAE-002	9730036	Cover frame for monitor. Dimensions: 300x325 mm	10

• Made to measure. For example: (see illustration on left) MAE-900 (210, 260): Decorative frame for monitor with external width of 210mm and external height of 260mm.

MAE-900	9730034 *	Generic cover frame for monitor. Made to measure.	8
---------	-----------	---------------------------------------------------	---

*Ask your dealer for an order form or download one from our web site.

CABLES FOR ELECTRONIC DOOR ENTRY SYSTEM

TYPE	CODE	DESCRIPTION	PACK
CAB-032	9750000	Sleeved cable 6 x 0,25 mm ²	100
CAB-052	9750001	Sleeved cable 10 x 0,25 mm ²	100
CAB-004	9750002	Sleeved cable 2 x 0,5 mm ²	100
CAB-034	9750003	Sleeved cable 6 x 0,5 mm ²	100
CAB-054	9750004	Sleeved cable 10 x 0,5 mm ²	100
CAB-007	9750005	Sleeved cable 2x1 mm ²	100
CAB-117	9750006	Sleeved cable 4x1 mm ² and coaxial	100
CAT-001	9750007	UTP category 5e twisted pair cable	305



9730000



9730062



9730029

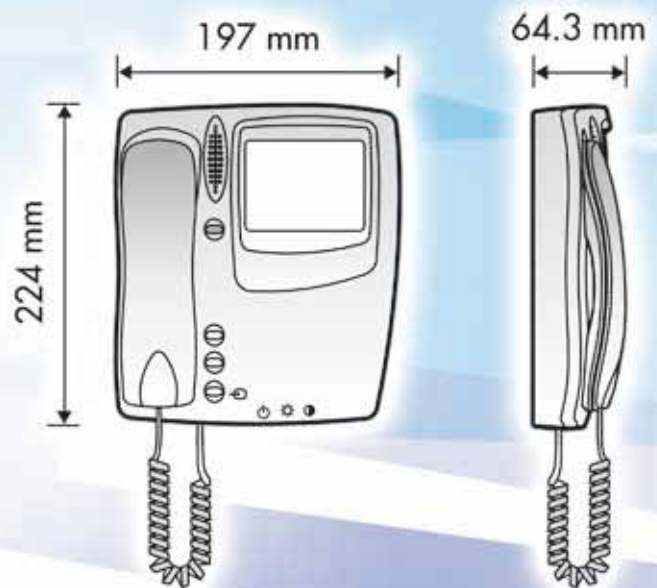


9730034

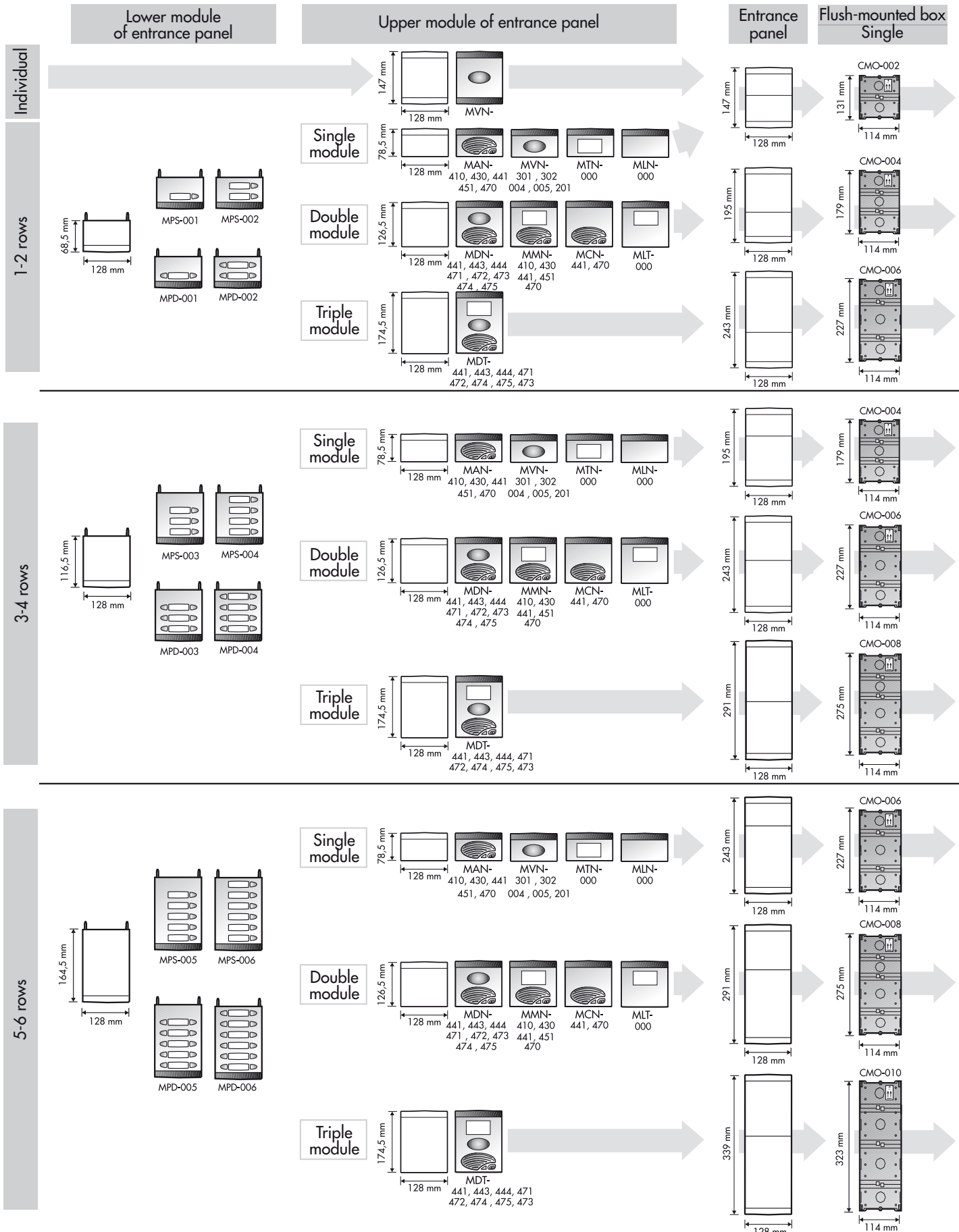




ENTRANCE PANELS: DIMENSIONS AND ACCESSORIES



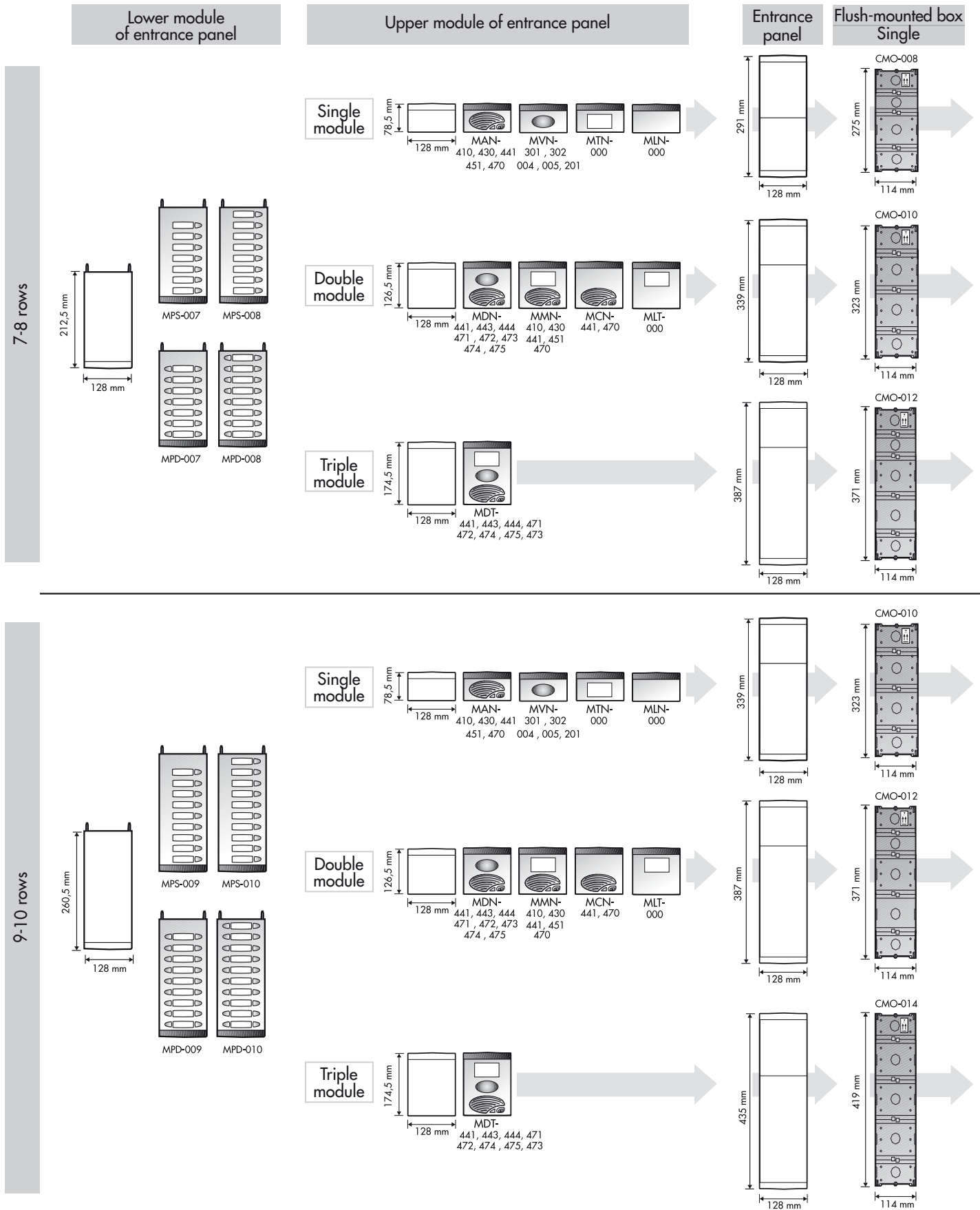
ENTRANCE PANELS WITH PUSHBUTTONS



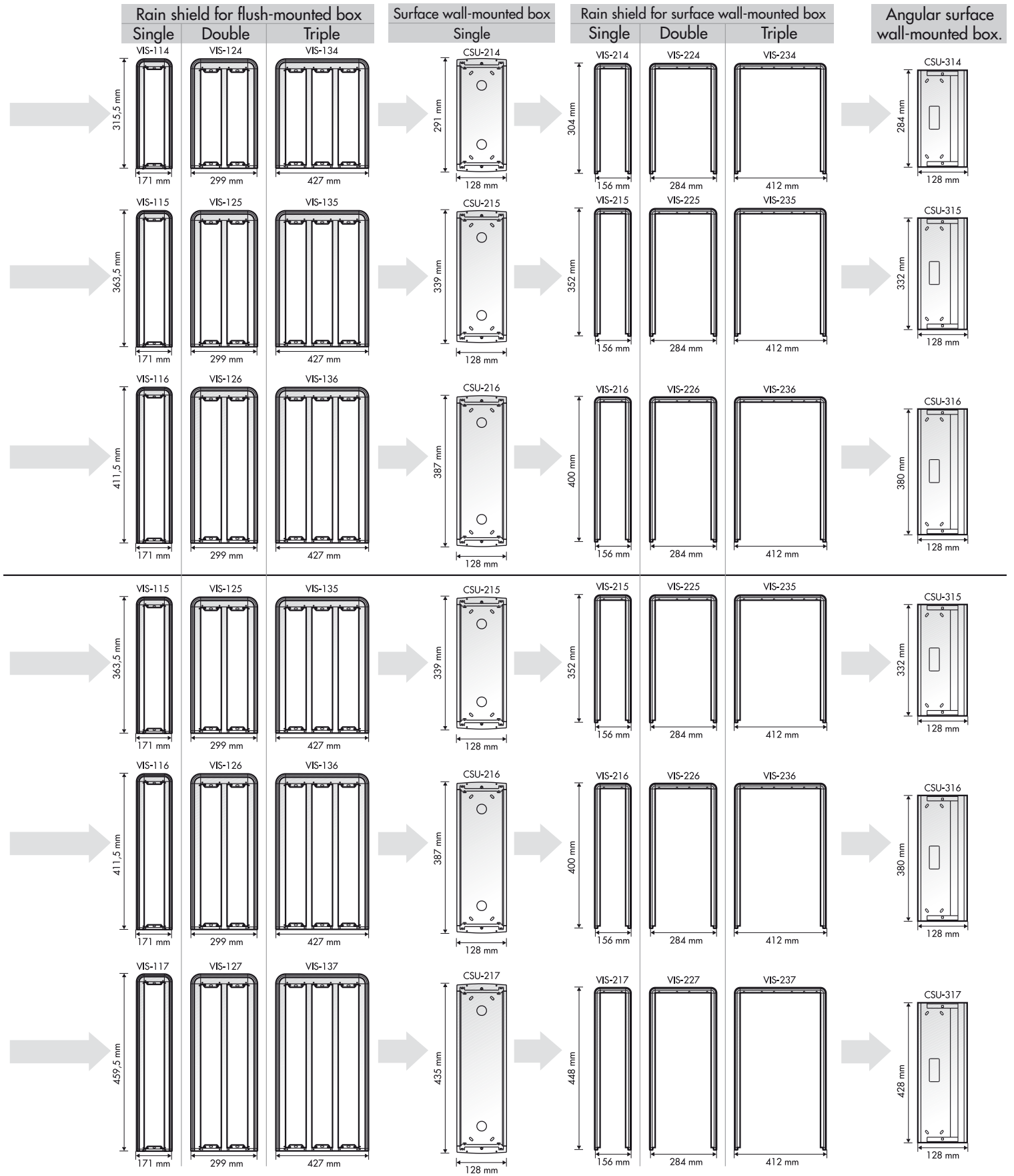
ENTRANCE PANELS WITH PUSHBUTTONS

Rain shield for flush-mounted box			Surface wall-mounted box	Rain shield for surface wall-mounted box			Angular surface wall-mounted box.
Single	Double	Triple	Single	Single	Double	Triple	
<p>171,5 mm 171 mm</p>	<p>299 mm</p>	<p>427 mm</p>	<p>147 mm 128 mm</p>	<p>160 mm 156 mm</p>	<p>284 mm</p>	<p>412 mm</p>	<p>140 mm 128 mm</p>
<p>219,5 mm 171 mm</p>	<p>299 mm</p>	<p>427 mm</p>	<p>195 mm 128 mm</p>	<p>208 mm 156 mm</p>	<p>284 mm</p>	<p>412 mm</p>	<p>188 mm 128 mm</p>
<p>267,5 mm 171 mm</p>	<p>299 mm</p>	<p>427 mm</p>	<p>243 mm 128 mm</p>	<p>256 mm 156 mm</p>	<p>284 mm</p>	<p>412 mm</p>	<p>236 mm 128 mm</p>
<p>219,5 mm 171 mm</p>	<p>299 mm</p>	<p>427 mm</p>	<p>195 mm 128 mm</p>	<p>208 mm 156 mm</p>	<p>284 mm</p>	<p>412 mm</p>	<p>188 mm 128 mm</p>
<p>267,5 mm 171 mm</p>	<p>299 mm</p>	<p>427 mm</p>	<p>243 mm 128 mm</p>	<p>256 mm 156 mm</p>	<p>284 mm</p>	<p>412 mm</p>	<p>236 mm 128 mm</p>
<p>315,5 mm 171 mm</p>	<p>299 mm</p>	<p>427 mm</p>	<p>291 mm 128 mm</p>	<p>304 mm 156 mm</p>	<p>284 mm</p>	<p>412 mm</p>	<p>284 mm 128 mm</p>
<p>267,5 mm 171 mm</p>	<p>299 mm</p>	<p>427 mm</p>	<p>243 mm 128 mm</p>	<p>256 mm 156 mm</p>	<p>284 mm</p>	<p>412 mm</p>	<p>236 mm 128 mm</p>
<p>315,5 mm 171 mm</p>	<p>299 mm</p>	<p>427 mm</p>	<p>291 mm 128 mm</p>	<p>304 mm 156 mm</p>	<p>284 mm</p>	<p>412 mm</p>	<p>284 mm 128 mm</p>
<p>363,5 mm 171 mm</p>	<p>299 mm</p>	<p>427 mm</p>	<p>339 mm 128 mm</p>	<p>352 mm 156 mm</p>	<p>284 mm</p>	<p>412 mm</p>	<p>332 mm 128 mm</p>

ENTRANCE PANELS WITH PUSHBUTTONS



ENTRANCE PANELS WITH PUSHBUTTONS



ENTRANCE PANELS WITH PUSHBUTTONS

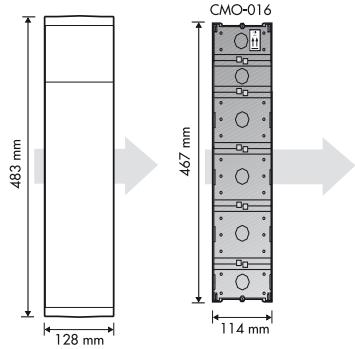
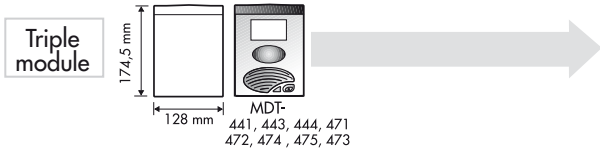
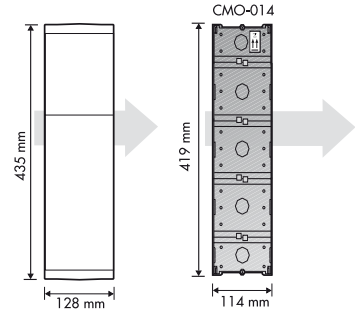
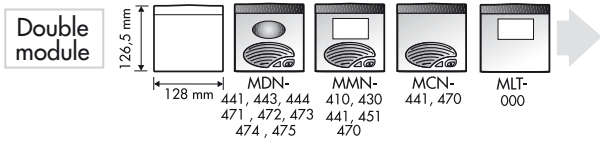
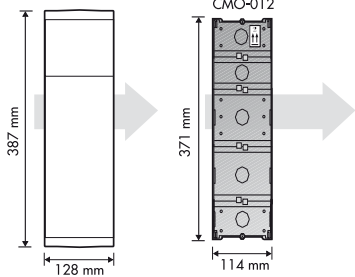
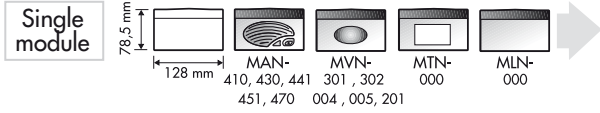
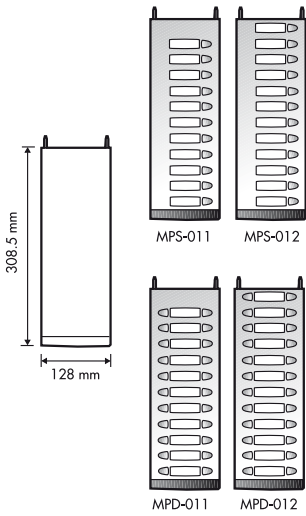
11-12 rows

Lower module of entrance panel

Upper module of entrance panel

Entrance panel

Flush-mounted box Single



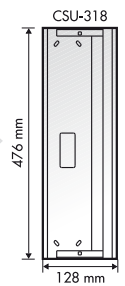
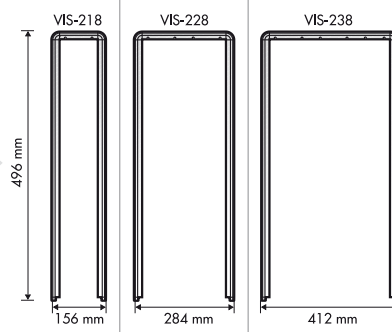
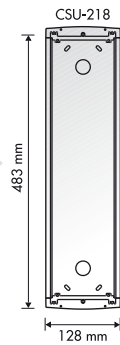
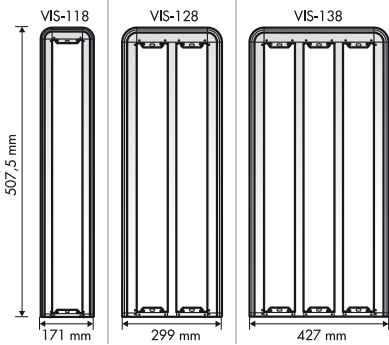
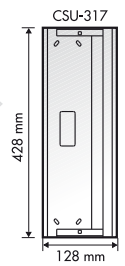
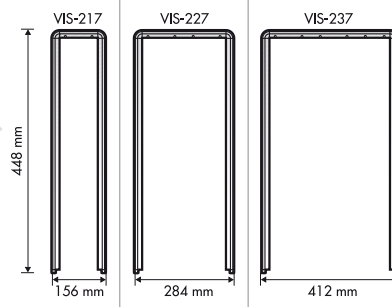
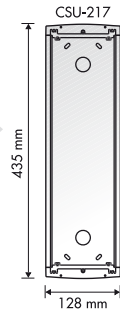
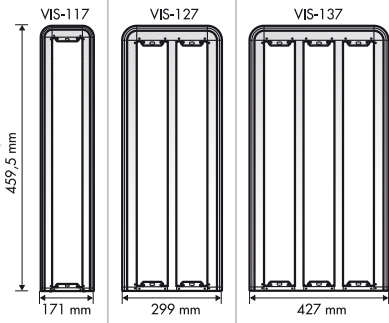
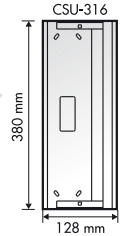
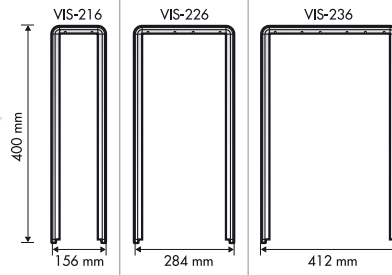
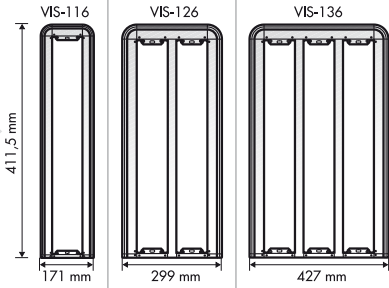
ENTRANCE PANELS WITH PUSHBUTTONS

Rain shield for flush-mounted box
Single Double Triple

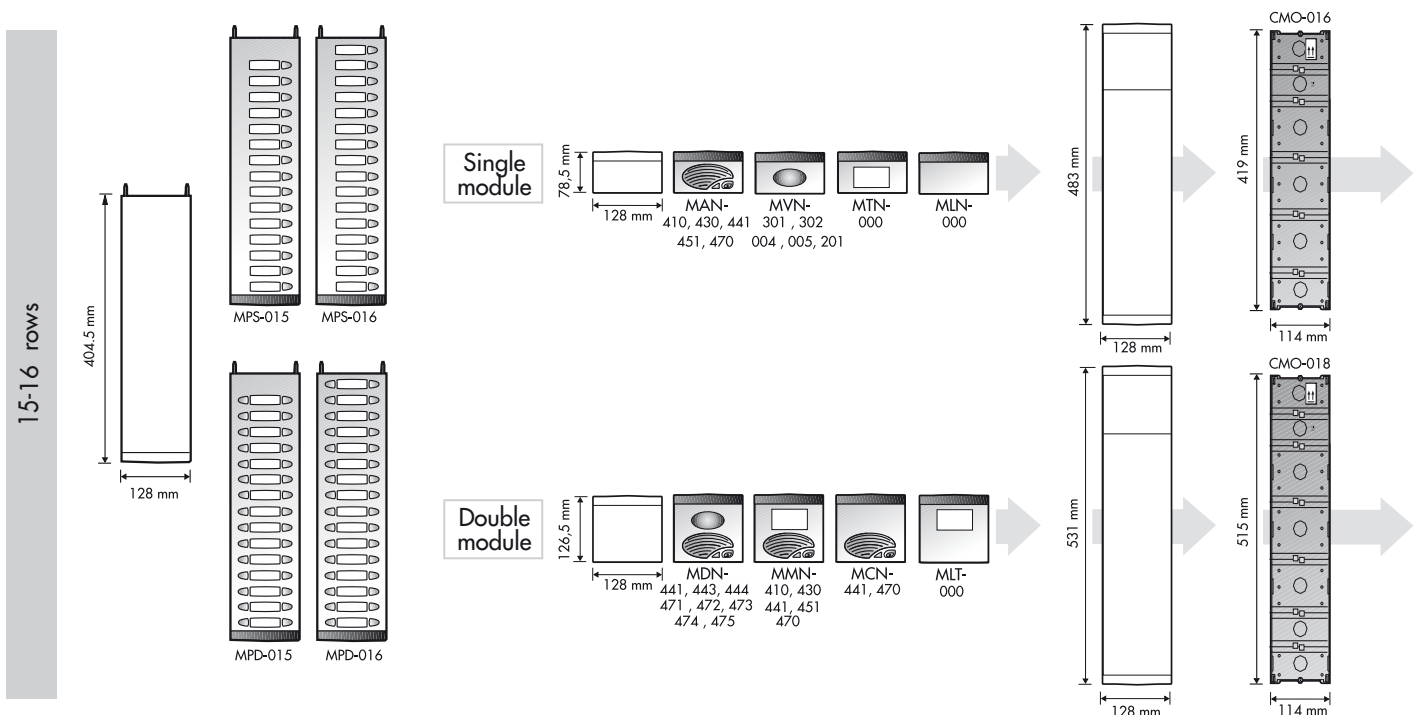
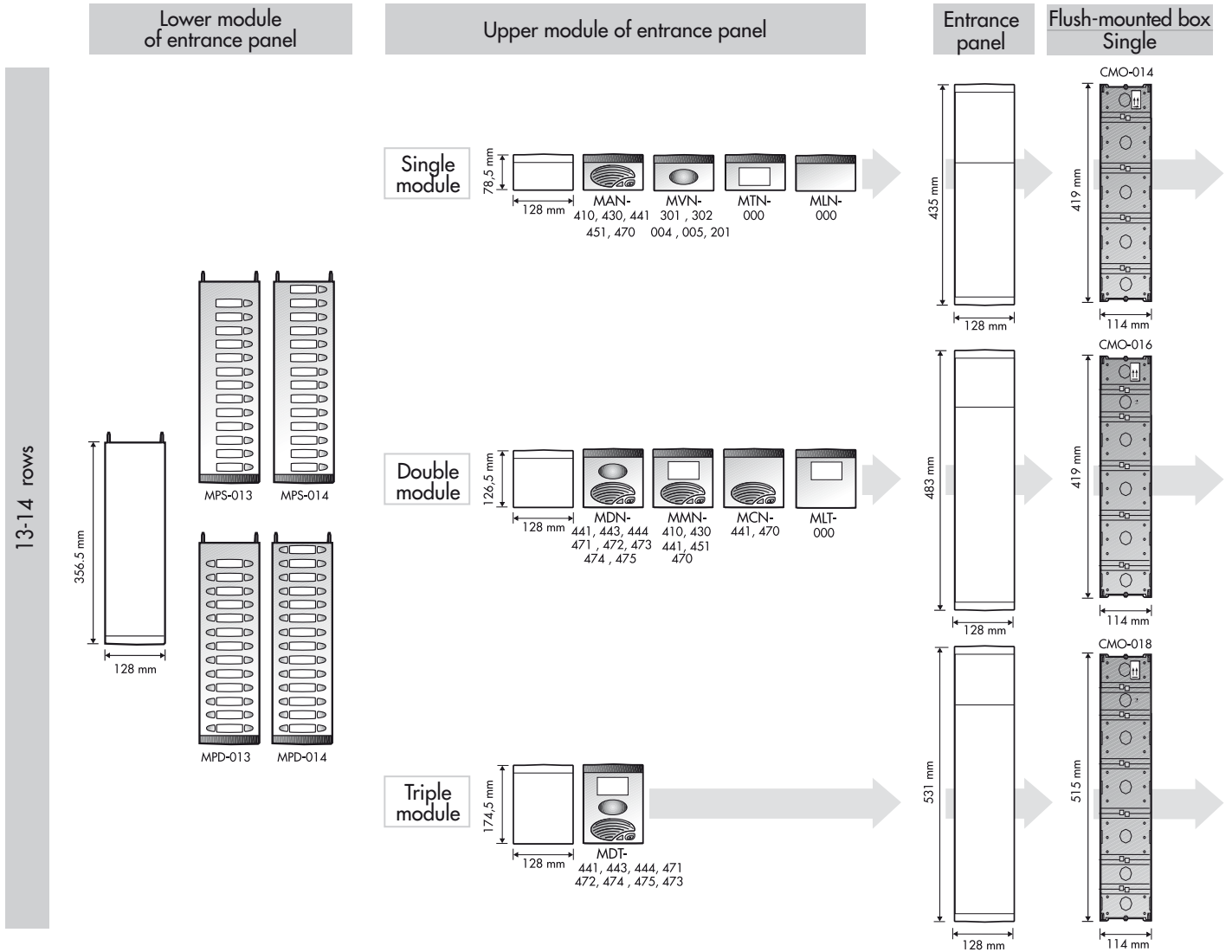
Surface wall-mounted box
Single

Rain shield for surface wall-mounted box
Single Double Triple

Angular surface wall-mounted box.



ENTRANCE PANELS WITH PUSHBUTTONS



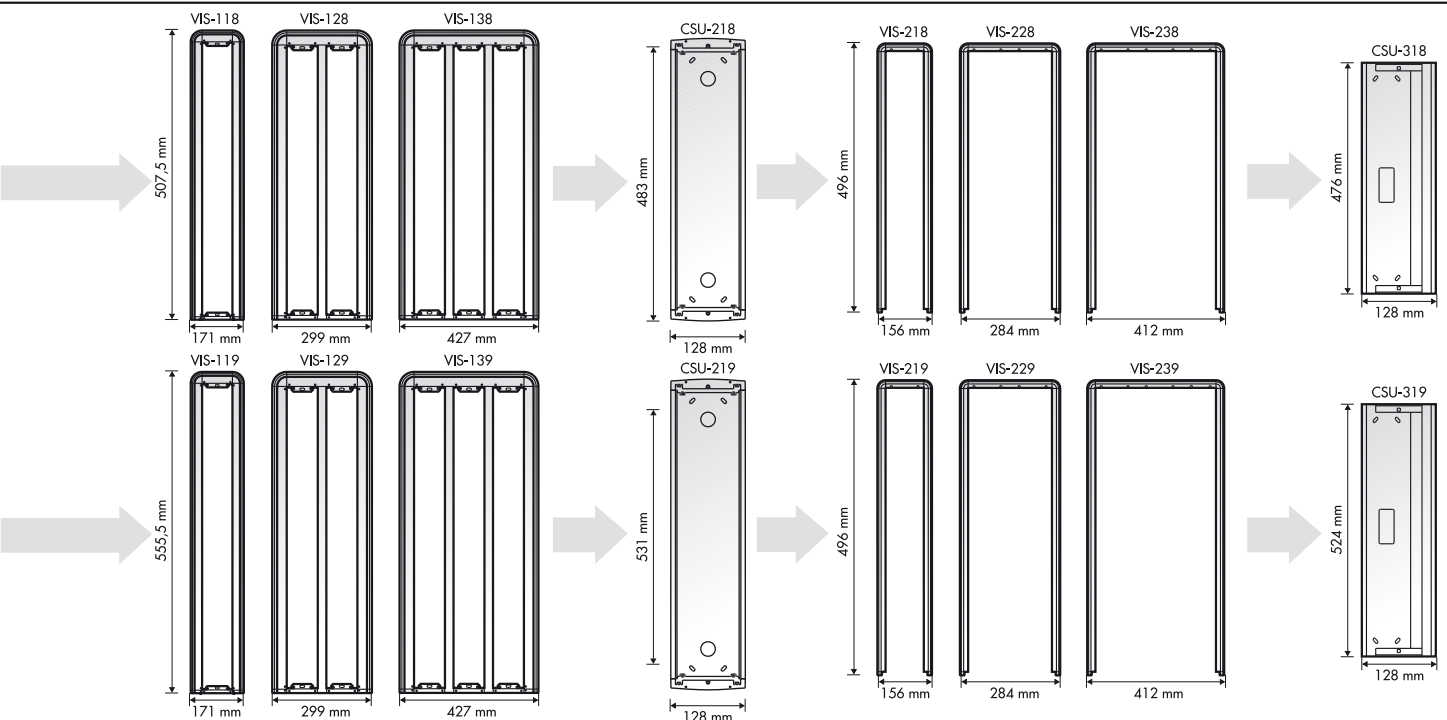
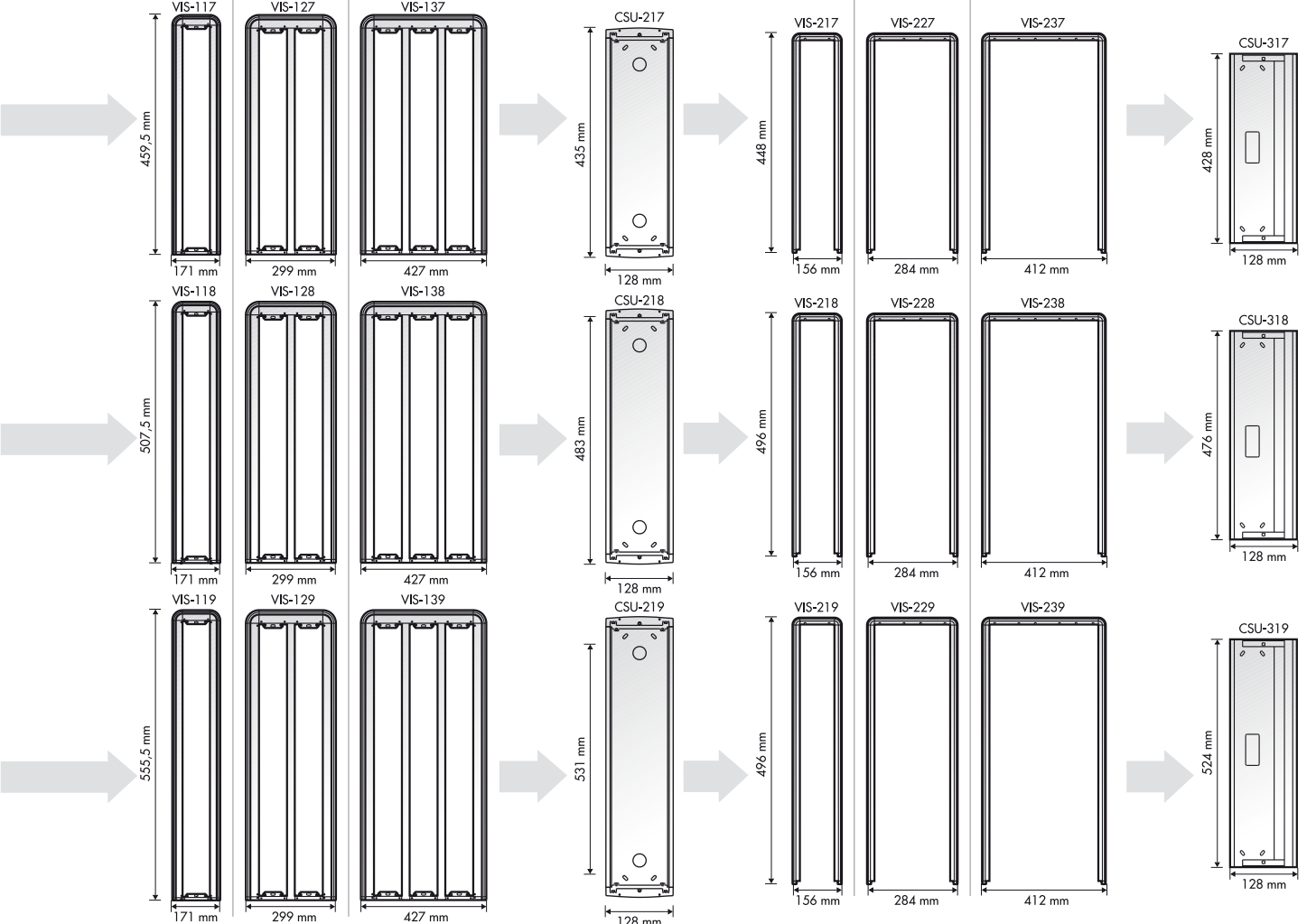
ENTRANCE PANELS WITH PUSHBUTTONS

Rain shield for flush-mounted box
Single Double Triple

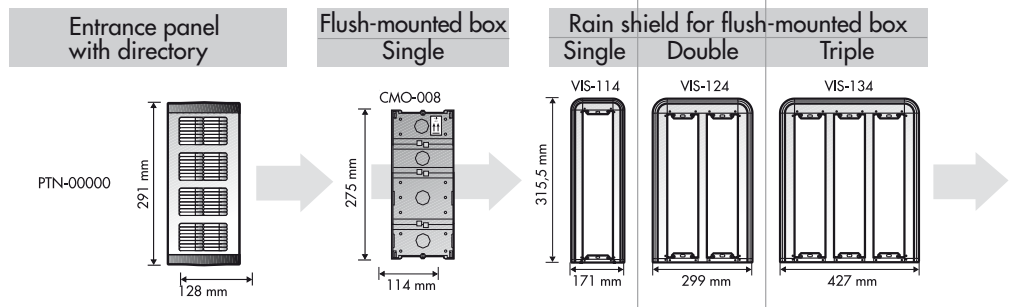
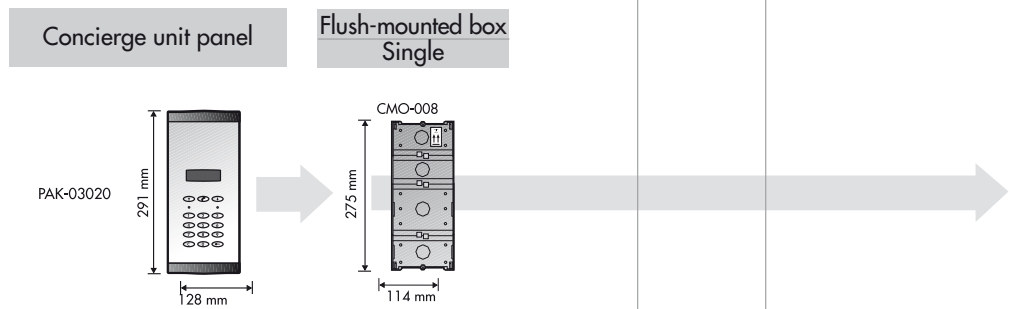
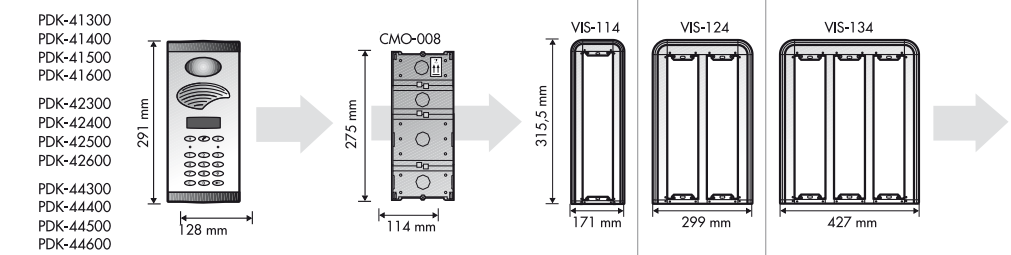
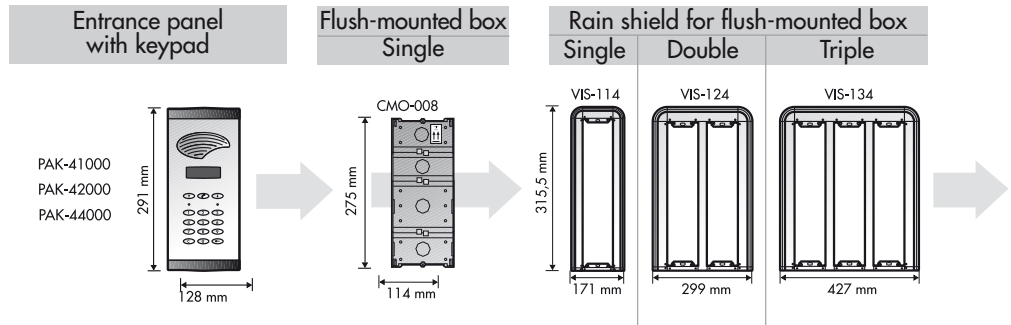
Surface wall-mounted box
Single

Rain shield for surface wall-mounted box
Single Double Triple

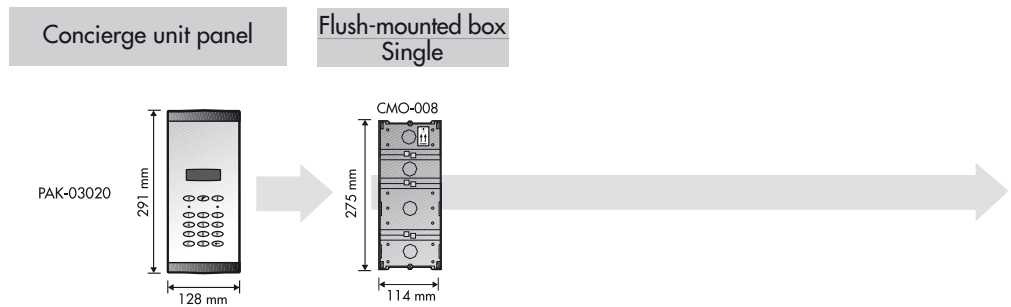
Angular surface wall-mounted box.



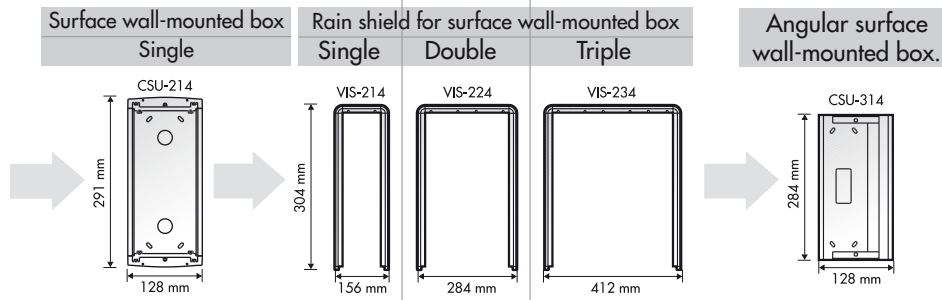
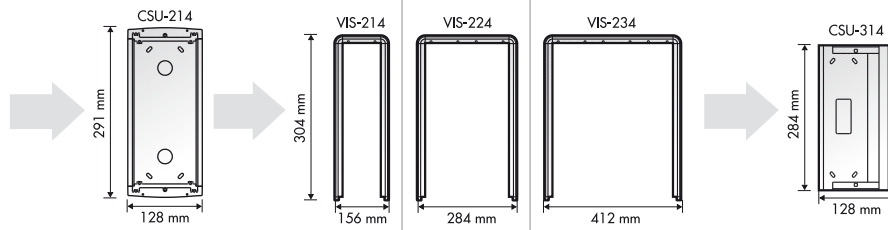
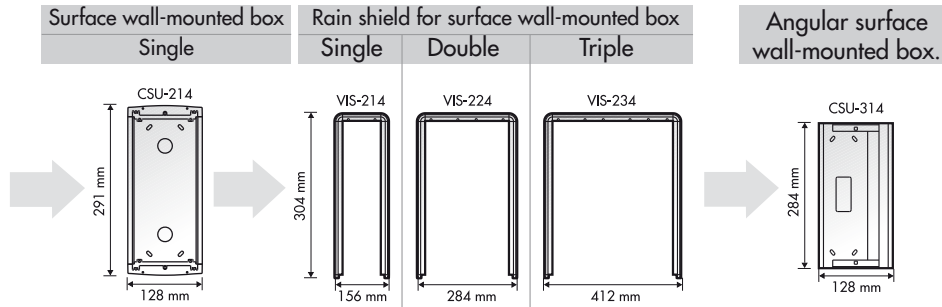
ENTRANCE PANEL WITH KEYPAD



Digital system

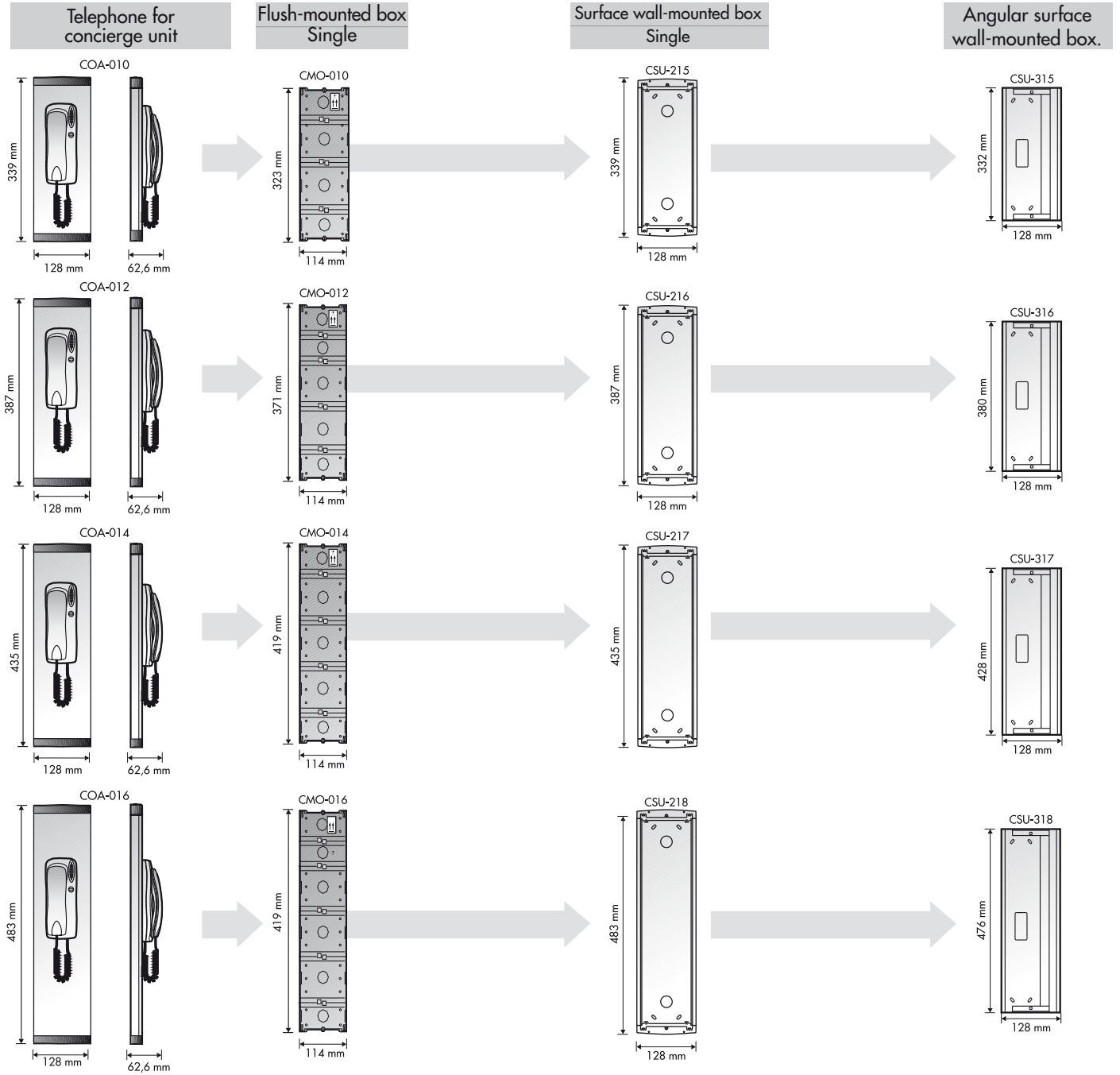


ENTRANCE PANEL WITH KEYPAD



CONCIERGE

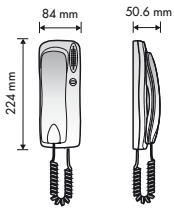
CONVENTIONAL SYSTEM



VISIONS AND ACCESSORIES

TELEPHONE

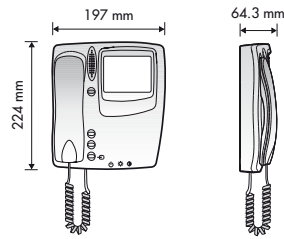
TYPE



9600001 9600012
 9600002 9600013
 9600003 9600014
 9600007 9600018
 9600009
 9600010
 9600011

MONITOR

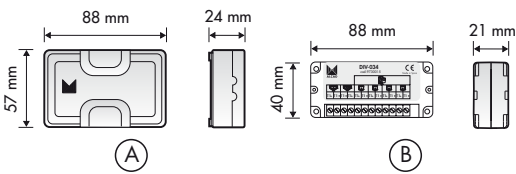
TYPE



9630000
 9630001
 9630006
 9630008

TAPP-OFF / SPLITTER

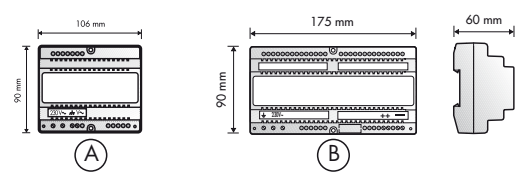
TYPE



9730031 (A)
 9730032
 9730015 (B)
 9730016

POWER SUPPLY

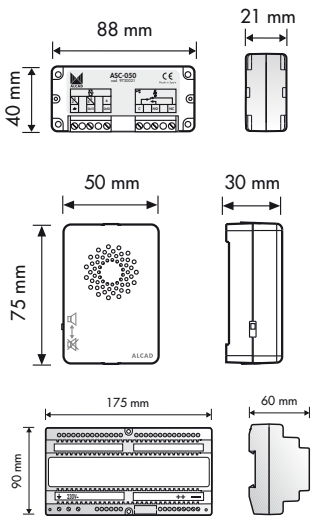
TYPE



9620001 (A)
 9620002
 9620006
 9620011
 9620014 (B)

ELECTRONIC ACCESSORIES

TYPE



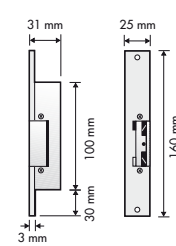
9730005
 9730006
 9730021
 9730023
 9730024

9730019
 9730020

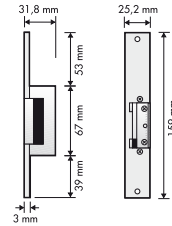
9620013

ELECTRIC LOCKS

TYPE

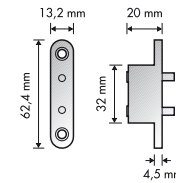


9730000
 9730001
 9730002
 9730003
 9730062
 9730063
 9730064
 9730065

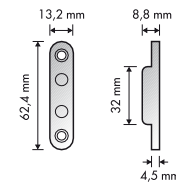


9730025
 9730026
 9730007
 9730008

DOOR CONTACT



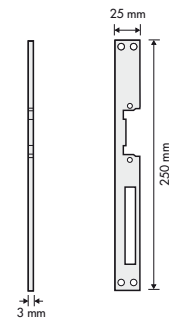
Door contact - Male



Door contact - Female

9730004

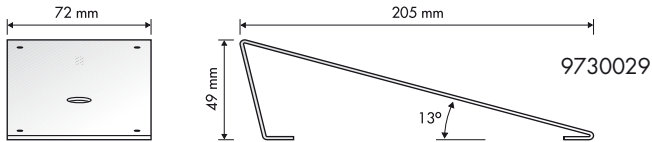
ELECTRIC LOCK SHIELD



9730033

ENTRANCE PANELS : DIMENSIONS

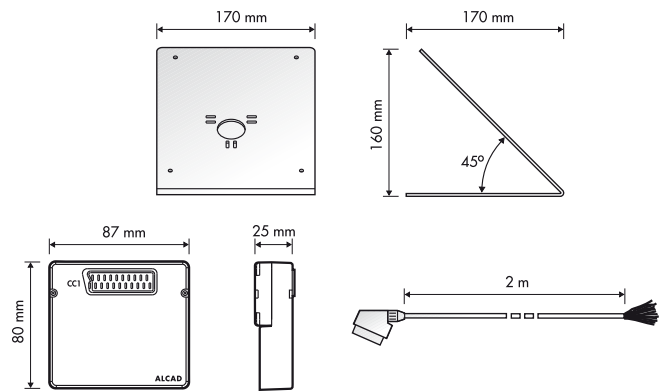
ACCESSORIES FOR TELEPHONES TYPE



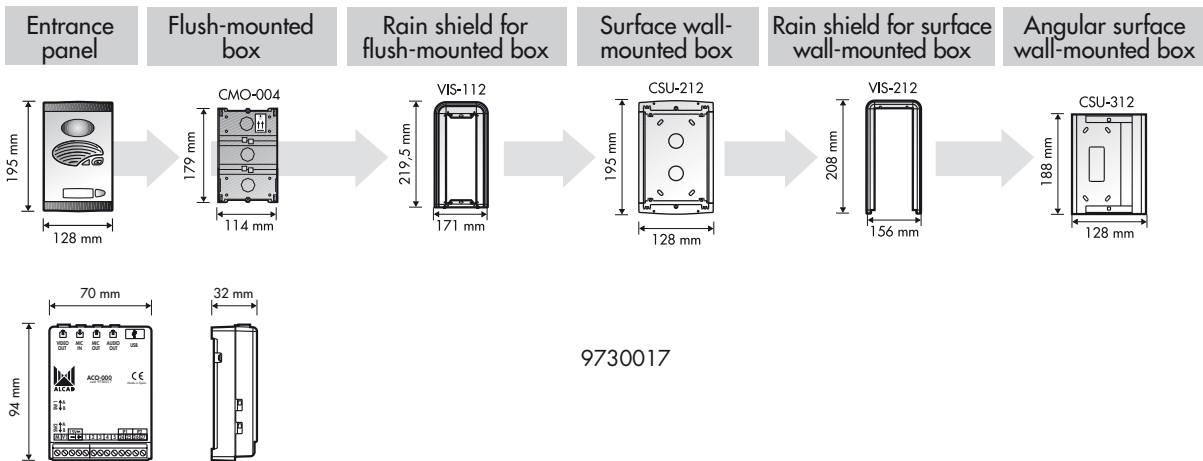
9730029

ACCESSORIES FOR MONITORS TYPE

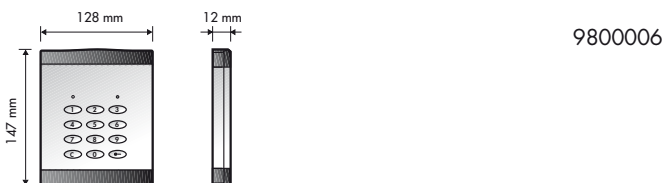
DESKTOP SUPPORT 9730049



PC VIDEO DOOR ENTRY SYSTEM TYPE



ACCESS CONTROL TYPE



9800006

VISIONS AND ACCESSORIES

SUMMARY OF CODES

TYPE	CODE
SERIE 960	
TEL-001	9600001
TUN-001	9600002
TES-001	9600003
TED-001	9600007
TEL-002	9600009
TED-002	9600010
TUN-002	9600011
TES-002	9600012
TUN-101	9600013
TIN-001	9600014
TEL-101	9600018

SERIE 962	
ALA-040	9620001
ALA-020	9620002
ALM-040	9620011
ALM-080	9620013
ALC-070	9620014

SERIE 963	
MVB-001	9630000
MVC-001	9630001
SCM-010	9630002
SCM-020	9630003
SCM-030	9630004
SCM-040	9630005
MVB-002	9630006
MVC-002	9630008

SERIE 965	
GCI-001	9650001
MDA-300	9650007
MDA-400	9650009

SERIE 966	
MPS-003	9660000
MPS-004	9660001
MPS-005	9660002
MPS-006	9660003
MPS-007	9660004
MPS-008	9660005
MPS-009	9660006
MPS-010	9660007
MPS-011	9660008
MPS-012	9660009
MPS-013	9660010
MPS-014	9660011
MPS-015	9660012
MPS-016	9660013
MPS-001	9660014
MPS-002	9660015
MKD-900	9660016
MPD-001	9660048
MPD-002	9660049
MPD-003	9660050
MPD-004	9660051
MPD-005	9660052
MPD-006	9660053
MPD-007	9660054
MPD-008	9660055
MPD-009	9660056
MPD-010	9660057
MPD-011	9660058
MPD-012	9660059
MPD-013	9660060
MPD-014	9660061
MPD-015	9660062
MPD-016	9660063
MPD-900	9660064
MPD-901	9660065

TYPE	CODE
MVN-301	9670009
MVN-004	9670012
MVN-901	9670013
MTN-000	9670018
MVN-904	9670019
MLN-000	9670021
MVN-302	9670045
MDN-475	9670046
MDT-475	9670056
MLT-000	9670086
MVN-902	9670100
MVN-201	9670101
MVN-903	9670106
MVN-905	9670107
MAN-410	9670115
MAN-430	9670116
MAN-460	9670117
MAN-441	9670118
MAN-451	9670119
MDN-471	9670120
MDT-471	9670121
MDN-444	9670122
MDT-444	9670123
MMN-410	9670126
MMN-451	9670127
MMN-430	9670128
MDN-441	9670130
MDT-441	9670131
MMN-441	9670137
MCN-441	9670138
MDN-443	9670140
MDT-443	9670141
MAN-470	9670144
MMN-470	9670145
MCN-470	9670146
MDN-474	9670147
MDT-474	9670148
MDN-473	9670149
MDT-473	9670150
MDN-442	9670151
MDT-442	9670152
MDN-472	9670153
MDT-472	9670154
MVN-005	9670157
MDN-445	9670162
MDT-445	9670163

SERIE 968	
COA-010	9680001
COA-012	9680002
COA-014	9680003
COA-016	9680004
TCD-001	9680008
MCB-002	9680014
MCC-002	9680015
SCC-030	9680016
SCC-040	9680017

SERIE 970	
KAS-41001	9700037
KAS-41003	9700038
KAS-41005	9700039
KAD-41001	9700040
KAD-41002	9700041
KAD-41003	9700042
KAD-41004	9700043
KAD-41005	9700044
KAD-41006	9700045
KAS-41021	9700046
KAD-41021	9700047
KBS-42121	9700102

TYPE	CODE
KBD-42121	9700103
KAS-42021	9700104
KAD-42021	9700105
KAS-47001	9700106
KAD-47001	9700107
KAS-67001	9700118
KAD-67001	9700119
KBS-47221	9700120
BAS-47321	9700123

SERIE 972	
KVS-44401	9720038
KVS-47401	9720040
KVD-47401	9720041
KVS-44101	9720042
KVD-44101	9720043
KVS-47101	9720044
KVD-47101	9720045
KOS-44201	9720046
KVS-47201	9720047
KVD-47201	9720107
KVS-47501	9720108
KVD-47501	9720109
KVS-44201	9720110
KVD-44201	9720111
KVS-44501	9720112
KVD-44501	9720113
KVS-67401	9720129
KVD-67401	9720130
KWS-47421	9720131
KWS-47521	9720132
BVS-47321	9720135

SERIE 973	
ABR-001	9730000
ABR-002	9730001
ABR-003	9730002
ABR-004	9730003
CNP-001	9730004
AAL-001	9730005
APC-001	9730006
ABR-013	9730007
ABR-014	9730008
DIV-034	9730015
DIV-134	9730016
ACO-000	9730017
AAL-120	9730018
AAL-200	9730019
AAL-210	9730020
ASC-050	9730021
ASC-001	9730023
AAV-001	9730024
ABR-011	9730025
ABR-012	9730026
SST-001	9730029
COL-000	9730030
DIV-024	9730031
DIV-124	9730032
ESC-010	9730033
MAE-900	9730034
MAE-001	9730035
MAE-002	9730036
SSM-001	9730049
SSC-001	9730054
AIB-001	9730055
SSC-002	9730056
ASC-051	9730057
APX-001	9730060
AAL-130	9730061
ABR-015	9730062
ABR-016	9730063

TYPE	CODE
ABR-017	9730064
ABR-018	9730065
HST-001	9730066
ASE-002	9730067
AIB-010	9730068

SERIE 974	
TOP-100	9740001
CEM-001	9740004
CMO-002	9740005
CMO-004	9740006
CMO-006	9740007
CMO-008	9740008
CMO-010	9740009
CMO-012	9740010
CMO-014	9740011
CMO-016	9740012
TOP-001	9740014
CMO-018	9740015
MAR-901	9740016
MAR-902	9740017
MAR-900	9740047
CSU-211	9740100
CSU-212	9740101
CSU-213	9740102
CSU-214	9740103
CSU-215	9740104
CSU-216	9740105
CSU-217	9740106
CSU-218	9740107
CSU-219	9740108
VIS-111	9740109
VIS-112	9740110
VIS-113	9740111
VIS-114	9740112
VIS-115	9740113
VIS-116	9740114
VIS-117	9740115
VIS-118	9740116
VIS-119	9740117
VIS-121	9740118
VIS-122	9740119
VIS-123	9740120
VIS-124	9740121
VIS-125	9740122
VIS-126	9740123
VIS-127	9740124
VIS-128	9740125
VIS-129	9740126
VIS-131	9740127
VIS-132	9740128
VIS-133	9740129
VIS-134	9740130
VIS-135	9740131
VIS-136	9740132
VIS-137	9740133
VIS-138	9740134
VIS-139	9740135
VIS-211	9740136
VIS-212	9740137
VIS-213	9740138
VIS-214	9740139
VIS-215	9740140
VIS-216	9740141
VIS-217	9740142
VIS-218	9740143
VIS-219	9740144
VIS-221	9740145
VIS-222	9740146
VIS-223	9740147
VIS-224	9740148

TYPE	CODE
VIS-225	9740149
VIS-226	9740150
VIS-227	9740151
VIS-228	9740152
VIS-229	9740153
VIS-231	9740154
VIS-232	9740155
VIS-233	9740156
VIS-234	9740157
VIS-235	9740158
VIS-236	9740159
VIS-237	9740160
VIS-238	9740161
VIS-239	9740162
CSU-311	9740163
CSU-312	9740164
CSU-313	9740165
CSU-314	9740166
CSU-315	9740167
CSU-316	9740168
CSU-317	9740169
CSU-318	9740170
CSU-319	9740171
CSU-000	9740172

SERIE 975

CAB-032	9750000
CAB-052	9750001
CAB-004	9750002
CAB-034	9750003
CAB-054	9750004
CAB-007	9750005
CAB-117	9750006
CAT-001	9750007

SERIE 980

PTN-00000	9800002
PNK-00000	9800006
PAK-03020	9800012
PAK-41000	9800033
PDK-41300	9800034
PDK-41400	9800035
PDK-41500	9800036
PAK-42000	9800037
PAK-44000	9800038
PDK-42300	9800039
PDK-44300	9800040
PDK-42500	9800041
PDK-44500	9800042
PDK-42400	9800043
PDK-44400	9800044
PDK-42600	9800046
PDK-44600	9800048
PDK-41600	9800049
PAK-61000	9800071
PTN-60000	9800073
PDK-61400	9800075

G E N E R A L T E R M S

The acceptance of orders by ALCAD S.L. implies the acceptance of the following general terms of trade. These terms take priority over the conditions of purchase that may figure on client order forms or other documents.

1. PRICES

Our unit prices are ex-works. The price that will be applied is the current price in the country of sale at the date of receipt of order. Orders accepted by our agents are only formalised following our confirmation.

2. TRANSPORT

Transportation costs will be paid for by the client. The risks of transport and problems that could occur during transportation will be at the expense of the client, even when the goods are shipped free delivered.

The client will adopt the necessary measures with the transport company the moment the goods are received and will have to confirm by registered letter the event of any loss or damage caused to the goods, and send a copy of the same letter to the shipping agent.

3. DELIVERY TIMES, DELIVERIES, RETURNS AND COMPLAINTS

ALCAD S.L. will only accept orders that are confirmed in writing. Delivery times are only indicative and the delays that may occur cannot be held as a reason to refuse the acceptance of the material or as a cause for compensation.

ALCAD S.L. reserves the right to organise the delivery of the goods in one or several shipments, and to invoice the goods in accordance with the agreed terms.

No return of material will be allowed without the express prior authorisation of ALCAD S.L. In the event that the return of the material is accepted, the goods must be in perfect working condition and in their original packing and sent to us carriage-paid with a photocopy of the authorisation of the return and the initial invoice.

Any complaint regarding the delivered material must be made within the 8 days that follow the reception of the goods.

4. GUARANTEE

The material is guaranteed for two years following the date of the invoice for the ALCAD products to the end client and will be validated by the presentation of the purchase document of the product in question.

The guarantee is strictly limited to the replacement of the materials supplied by ALCAD, and does not cover any damage or breakdowns due to misuse, incorrect installation, or prohibited manipulation or handling of the materials, carried out by the client before returning the goods to ALCAD.

This guarantee does not imply any liability on part of ALCAD for compensation or damages whatsoever.

5. TERMS AND CONDITIONS OF PAYMENT

Each of the agreed terms and conditions of payment will be negotiated with the client and confirmed in writing. Any delay in the agreed date of payment could be cause for an additional invoice to cover the costs of delay and damages.

6. RESERVE OF OWNERSHIP CLAUSE

ALCAD S.L. reserves the rights to full ownership of the goods until the purchaser has totally satisfied the full payment of the agreed price. The purchaser is obliged to make every effort to preserve and maintain the goods in perfect order and to cover the goods with a fully comprehensive insurance policy. Should the purchaser fail to satisfy any of their obligations, ALCAD S.L. may exercise its rights of ownership and withdraw the goods or demand the fulfilment of the obligation of payment.

7. COMPETENT JURISDICTION

For any question relating to the fulfilment or interpretation of the contract or its incidence, the parties, with the express renunciation of any other body or authority that may correspond to them, agree to submit any dispute to the competence of the courts and tribunals in the jurisdiction of our registered head office.



iBLACK

ACCESS
CONTROL
SYSTEM



2 WYRE ACCESS CONTROL SYSTEM

www.alcad.net



Tel. 943.63.96.60
Fax 943.63.92.66
Int. Tel. +34 943.63.96.60
info@alcad.net
Polígono Arreche-Ugalde, Nº 1
Apdo. 455
E-20305 IRUN - Spain





Specifications subject to modifications without prior notice

CS 1000-01-10

www.alcad.net



Tel. 943.63.96.60
Fax 943.63.92.66
Int. Tel. +34 943.63.96.60
info@alcad.net
Polígono Arreche-Ugalde, Nº 1
Apdo. 455
E-20305 IRUN - Spain

FRANCE: B.P.60284 - F-64701 HENDAYE - Tel. 00 34 - 943.63.96.60 - Fax 00 34 - 943.63.92.66
UNITED ARAB EMIRATES: Middle East FZE - P.O. Box 54830 WSA DAFZA DUBAI - Tel. +971 4 2146140 - Fax 9714 2146147
CZECH REPUBLIC: nám. V. Mrštíka, 40 - 664 81 OSTROVÁČICE - Tel. 546.427.059 - Fax 546.427.212
TURKEY: Alcad Electronic San. Ve Tic. A.Ş. - Ayazma Yolu, Demet İş Mrk. - No:33/1 34107
Kağıthane - **ISTANBUL** - Tel. +90 212 295 97 00 - Fax.+90 212 295 42 43

