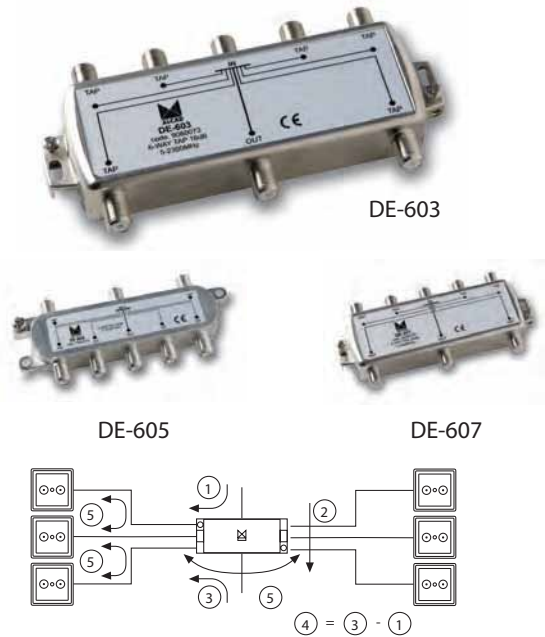


Flat IF tap-offs



Description

Tap-offs for terrestrial and satellite TV with six tap outputs, covering the 5MHz to 2,300MHz frequencies. They distribute part of the input signal to their tap outputs while the main part of the signal continues to the output. The response of the tap outputs is flat, without equalisation. Available in different tap-off attenuation values.

Applications

Collective terrestrial and satellite TV installations with an arborescent or tree-shaped distribution. The arborescent distribution reduces the number of distribution elements and the length of coaxial cable to be installed, even though the distances from head-end to outlet remain constant.

Characteristics

Protection diodes in all the outputs. Shielded zamak chassis and metal plate. Zamak F-type connectors which form part of the tap-off chassis.

CODE			9060073	9060074	9060075
MODEL			DE-603	DE-605	DE-607
Connection			F female		
Outputs			6		
Frequency range	MHz		5 - 2300		
Top loss	dB ±1,5	5 - 47 MHz	17.0	21.0	26.0
①		47 - 862 MHz	17.5	21.0	25.0
		950 - 2150 MHz	21.0	24.5	27.5
		2150 - 2300 MHz	21.5	26.5	30.0
Flatness response	dB		±0,3		
Channel flatness response			±0,1		
Through loss	dB ±0,5	5 - 47 MHz	4.0	1.5	1.5
②		47 - 862 MHz	3.5	1.5	1.5
		950 - 2150 MHz	6.0	3.0	3.0
		2150 - 2300 MHz	7.5	3.5	3.5
Directivity	dB	5 - 47 MHz	>14	>12	>16
④		47 - 862 MHz	>14	>10	>7
		950 - 2150 MHz	>0	>0	>0
		2150 - 2300 MHz	>0	>0	>0
Isolation	dB	5 - 47 MHz	>24	>24	>21
⑤		47 - 862 MHz	>22	>24	>20
		950 - 2150 MHz	>20	>20	>21
		2150 - 2400 MHz	>22	>19	>25
Return loss	dB	5 - 47 MHz	>10	>10	>10
		47 - 862 MHz	>10	>10	>11
		950 - 2150 MHz	>7	>8	>9
		2150 - 2400 MHz	>6	>7	>6
DC path	V...		24 max		
	mA		500 max		
	Tono		22 KHz/DiSEqC		
Protection index			IP 20		
Units per packing			12		
Packing weight	Kg		2.88		
Packing dimensions	mm		440 x 155 x 57		