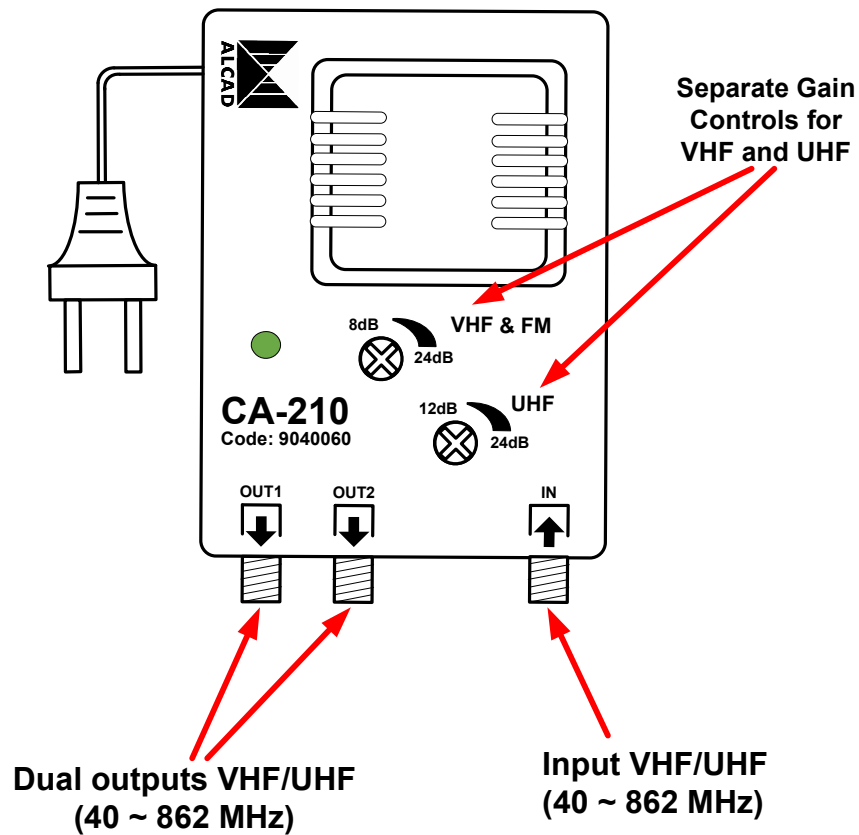


Alcad Multiband amplifiers

Model : CA-210



Main features:

- Amplify single input signal and provide dual amplified output.
- Separate Gain control for VHF and UHF band.
- Able to provide power (switchable) for Masthead unit.
- Use as a Headend in small projects.
- Maximum output 2 x 102 dB μ V
- Amplifier housing utilises internal Zamak chassis for maximum shielding.

Output :	UHF (470~862 MHz)	BIII/FM/BI (40~400 MHz)
Gain	25 dB	24 dB
Adjustable gain	12 dB	16 dB