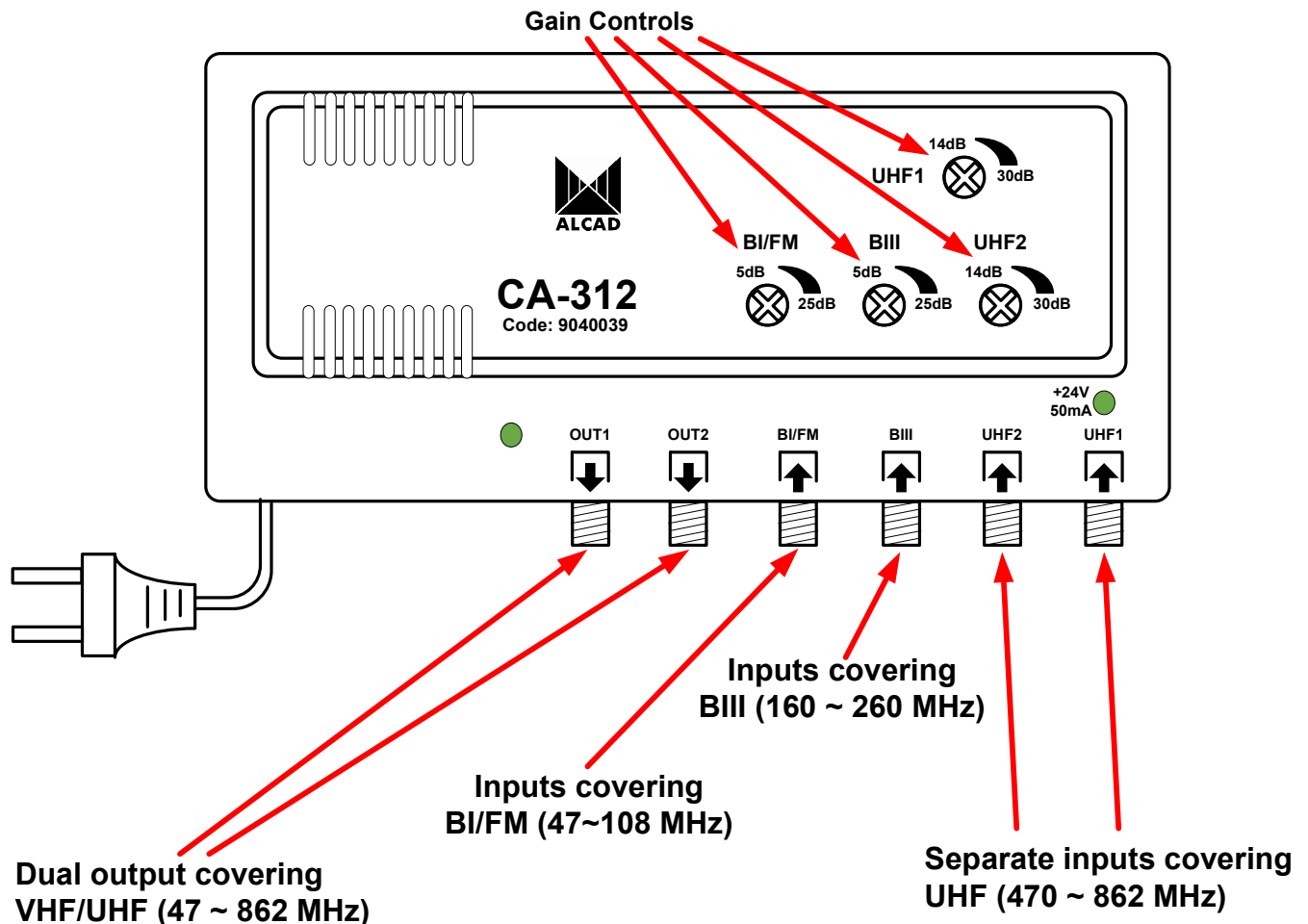


# Alcad Multiband amplifiers

## Model : CA-312



### Main features:

- Amplify separate input signal and provide single amplified output, combining all inputs.
- Able to provide power for Masthead units on UHF1 input port
- Use as a Headend in small projects.
- Maximum output 2 x 110 dB $\mu$ V
- Separate gain adjustment for each input.
- Amplifier housing made from Zamak and galvanised plate for maximum shielding.
- Terminate any unused inputs with a F type terminator.

Output :	UHF x 2 inputs	BIII	BII/FM
Gain	30 dB	20 dB	20 dB
Adjustable gain	16 dB	20 dB	20 dB